



Silentia+ Euro and Face Frame Hinges **SALICE**

Table of Contents



Silentia+ 100 Series Cup depth 12 mm
For small or light doors, 105° opening

page 9



Silentia+ 200 Series Cup depth 15.5 mm and 13.5 mm
Series for thick doors or 0 protrusion, 94° and 155° opening

page 17



Silentia+ 700 Series Cup depth 13.5 mm
110° opening

page 27



Silentia+ For metal profiles
105° opening

page 37



CU Face frame Series Cup depth 11 mm
2 Cam Adjustment

page 43



CU Face frame Series Cup depth 11 mm
3 Cam Adjustment

page 49



Hinge Mounting Plates

page 53



Accessories

page 63

Silentia+

State of the art soft-close.

Silentia+ allows a perfect and constant closing of the door in any temperature, use and application.

The innovative soft-close technology guarantees excellent performances to the complete range of hinges. Silentia+ includes numerous technological elements in the required spaces and maintains the aesthetics of all hinges.



Silentia+ Features and Benefits

- **Integrated soft close by means of twin fluid dampers**
- **Adjustment switch to set a comfortable soft close action**
- **Impervious to temperature extremes**
- **Very smooth opening with minimal resistance**
- **Patented compensating parallel side adjustment**
- **Available in the 100 Series, 200 Series , 700 Series, Euro and Faceframe**
- **Available in all Salice fixing types (Screw, Dowel, Rapido, Logica)**
- **Available in Nickel or Titanium finish**
- **Exceeds ANSI/BHMA standards A156.9-2020**
- **Limited Lifetime Warranty**

Silentia+

Integrated soft-close technology with two fluid dampers.

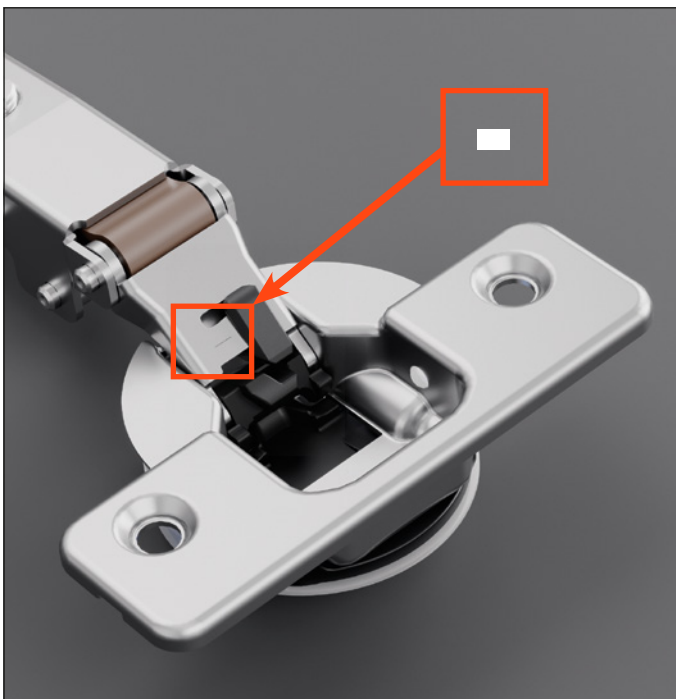
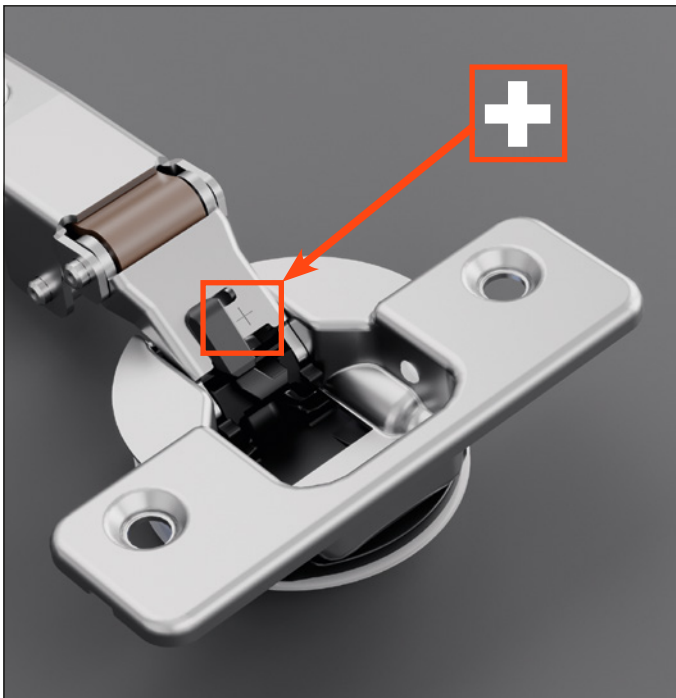
The two integrated dampers guarantee an exceptional consistency of the decelerating strength providing a perfect closing to any kind of door, size and application.



Always-optimal soft-close action

Silentia+ is also equipped with the innovative switch to adjust the soft close action. The activation of this switch allows, even with special door sizes, to obtain the ideal decelerating speed to any kind of door regardless of size or application.

With the adjustment switch set, showing the +, the soft close engages at 30'.
With the adjustment switch set, showing the -, the soft close engages at 10'.





Silentia+ • 100 Series • 12 mm Hinge Cup Depth

Silentia • 100 Series for small or light doors **Technical features**

Integrated soft close by means of twin fluid dampers

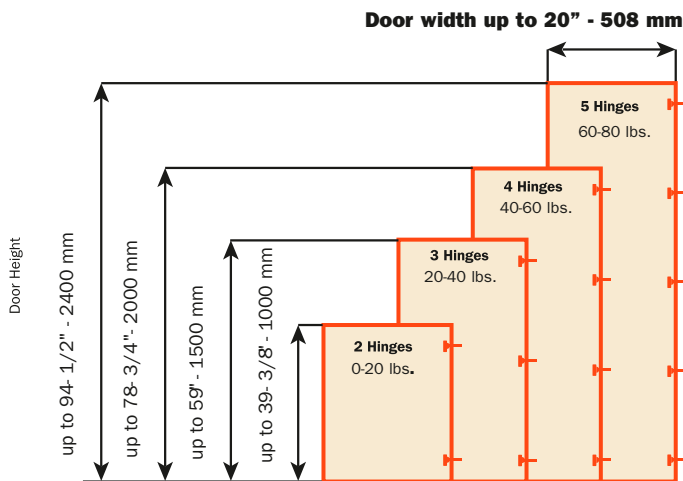
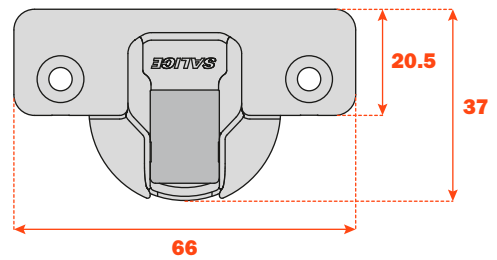
- Adjustment switch to set a comfortable soft close action
- Impervious to temperature extremes
- Very smooth opening with minimal resistance
- Patented compensating parallel side adjustment
- Available in all Salice fixing types (Screw, Dowel, Rapido, Logica)
- Available in Nickel or Titanium finish
- Exceeds ANSI/BHMA standards A156.9-2020

Constant “L” value of 1.5 mm (it does not change during side adjustment).

The number of hinges required depends on the size, weight and material of the door.

The distance between the top and bottom of the door must be greater than the width of the door.

Additional hinges should be added if doors are near the border of the line of size or weight chart. Use the diagram below to determine the number of hinges.



Adjustments

Parallel side adjustment from -1.5 mm to +4.5 mm.

Height adjustment ±2 mm

Depth adjustment with Domi snap-on mounting plates from -0.5 mm to +2.8 mm.

Depth adjustment with 200 Series mounting plates +2.8 mm.

Mounting plates

Snap-on assembly on Domi mounting plates.

Symmetrical and asymmetrical bright nickel plated steel or die-cast Series 200 mounting plates.

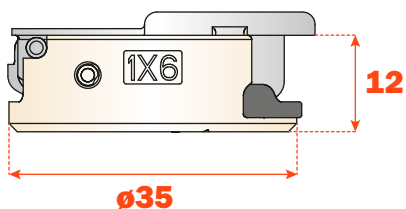
Note: Use No. 2 Pozi drive screwdrivers for all adjustments.

Drilling and attachment

Wood screw		P
Dowel		R
Rapido		7
Logica		J

Use this table to identify the available attachment options to the door.
 Fill the third position of the hinge code number with the letter or the number corresponding to your choice. I.e.: C1_6AE9.

↑
 Fill this position with the chosen letter or number.



**105° opening
 and complementary hinges**

Silentia • 100 Series • 105° opening



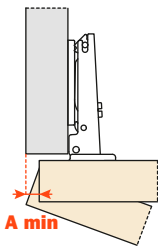
Technical information

Hinges with adjustable integrated soft-close mechanism operated by twin fluid dampers housed in the hinge cup. The decelerating effect is adjusted by using a simple switch. Minimum 15 mm / maximum 20 mm door thickness.

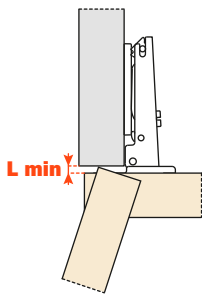
Hinges for small/light door material or heavy front profiles 12 mm deep cup.

105° opening.
Possible drilling distance on the door (K): from 3 to 6 mm.
Compatible with all traditional 200 Series mounting plates and with all Domi snap-on mounting plates.

Space needed to open the door



T=	15	16	17	18	19	20
K=3	A= 1.0	1.0	1.2	1.4	1.6	1.9
K=4	A= 0.9	1.0	1.2	1.3	1.5	1.8
K=5	A= 0.9	1.0	1.1	1.2	1.5	1.8
K=6	A= 0.9	1.0	1.1	1.2	1.4	1.7

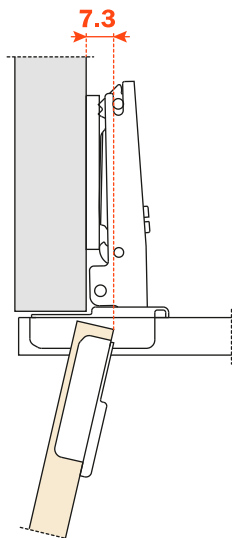


T=	15	16	17	18	19	20
K=3	L= 0.0	0.0	0.0	0.0	0.1	0.3
K=4	L= 0.4	0.6	0.7	0.9	1.1	1.2
K=5	L= 1.0	1.0	1.2	1.8	2.0	2.0
K=6	L= 1.6	1.8	2.0	2.1	2.3	2.5

The above values are calculated on doors with a 1 mm radius. They are reduced if the doors have greater radiussed edges.

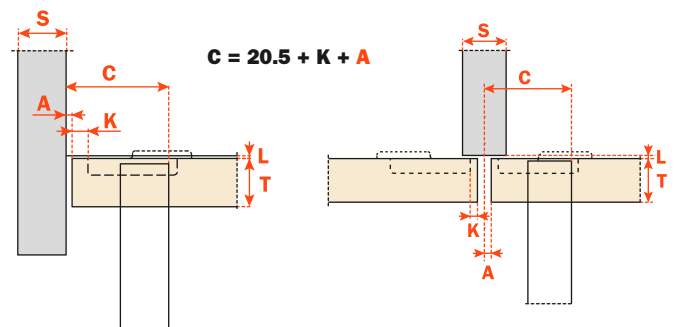
Protrusion of the door

Protrusion of the door from the cabinet side at the max. opening. The figures are based on a straight arm hinge, H=0 mm thickness of mounting plate and K value = 3 mm.



“C” value

With this formula you can obtain the max. thickness of the moulded door that can be opened without touching adjacent cabinet sides, doors or walls, while bearing in mind the above L·K·T values.



Abbreviations:	
S = Thickness of the cabinet side	A = Reveal
D = Required door overlay	L = Gap between the door and cabinet
T = Door thickness	H = Height of the mounting plate
K = Drilling distance	G = Hinge constant

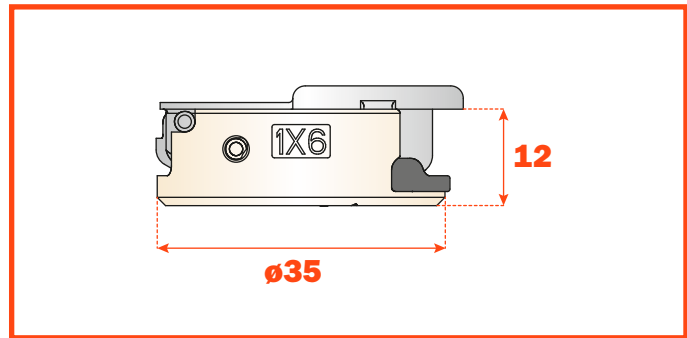
Packing • Boxes 300 pcs. • Pallets 7.200 pcs.

Use these formulas to determine the type of hinge arm, the drilling distance "K" and the height of the mounting plate "H" which is necessary to solve each application problem.

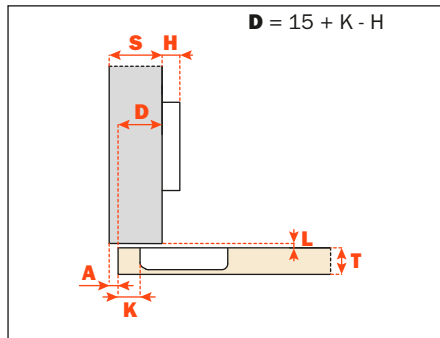
Use the tables "Drilling and attachment" at page 11 to complete the code number of the desired hinge.

To limit the opening of the hinge, see page 63, chapter "Accessories".

***Check with your Salice sales representative or customer service for specific Titanium availability.**

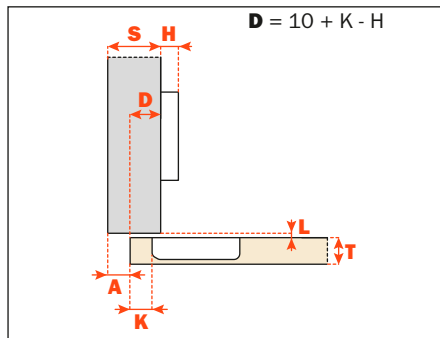


Full overlay/ A crank - 0 mm



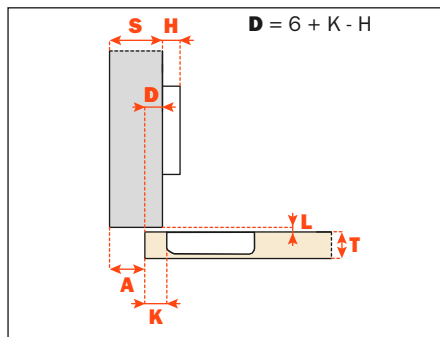
Attachment		Nickel	Titanium
	Wood screw	C1P6AE9	C1P6AE6
	Dowel	C1R6AE9	C1R6AE6
	Rapido	C176AE9	-
	Logica	C1J6AE9	-

1/2" overlay/ D crank - 5 mm



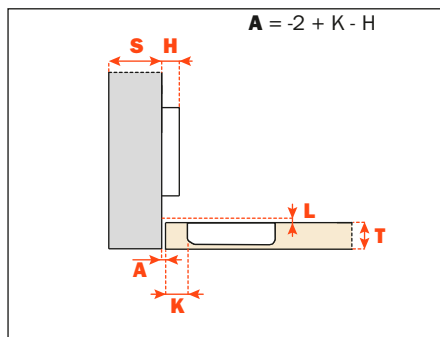
Attachment		Nickel	Titanium
	Wood screw	C1P6DE9	C1P6DE6
	Dowel	C1R6DE9	C1R6DE6
	Rapido	C176DE9	-
	Logica	C1J6DE9	-

Half overlay/ G crank - 9 mm



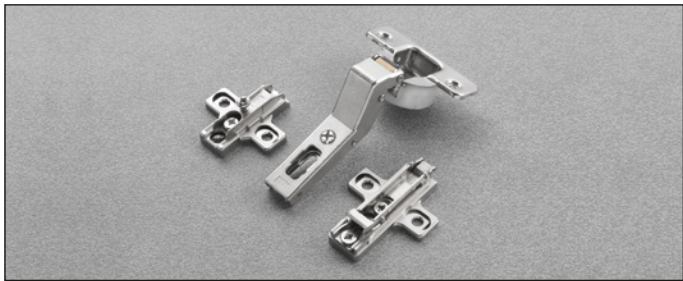
Attachment		Nickel	Titanium
	Wood screw	C1P6GE9	C1P6GE6
	Dowel	C1R6GE9	C1R6GE6
	Rapido	C176GE9	-
	Logica	C1J6GE9	-

Inset/ P crank - 17 mm



Attachment		Nickel	Titanium
	Wood screw	C1P6PE9	C1P6PE6
	Dowel	C1R6PE9	C1R6PE6
	Rapido	C176PE9	-
	Logica	C1J6PE9	-

Silentia • 100 Series • Complementary hinges



Technical Information

Hinges with adjustable integrated soft-close mechanism operated by twin fluid dampers housed in the hinge cup. The decelerating effect is adjusted by using a simple switch.

For doors with positive angled assembly. Hinges for small/light door material or heavy front profiles 12 mm deep cup.

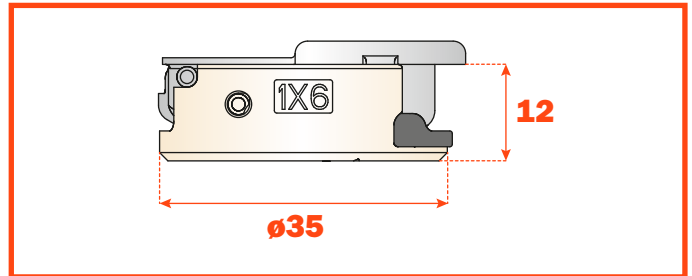
105° opening.
Possible drilling distance on the door (K): from 3 to 6 mm.
Compatible with all traditional 200 Series mounting plates and with all Domi snap-on mounting plates.

Packing • Boxes 150 pcs. • Pallets 3.600 pcs.

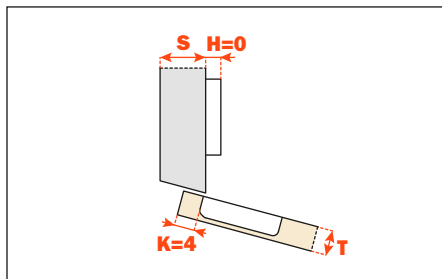
The solution of assembly problems where doors are mounted at a positive angle requires the verification of drilling distances by a practical trial. Please do not hesitate to consult our technical support department for assistance.

Use the tables "Drilling and attachment" at page 11 to complete the code number of the desired hinge.

Note: For angled hinges, unless otherwise noted the K= 4 mm and the H= 0 mm.

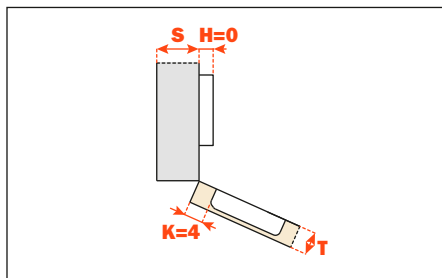


Arm 15°



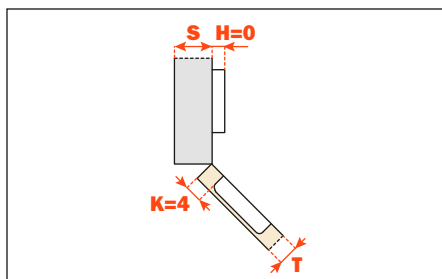
Attachment	Nickel
Dowel	C1R6ZE9

Arm 30°



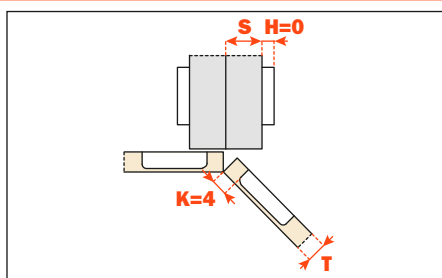
Attachment	Nickel
Dowel	C1R6EE9

Arm 45°

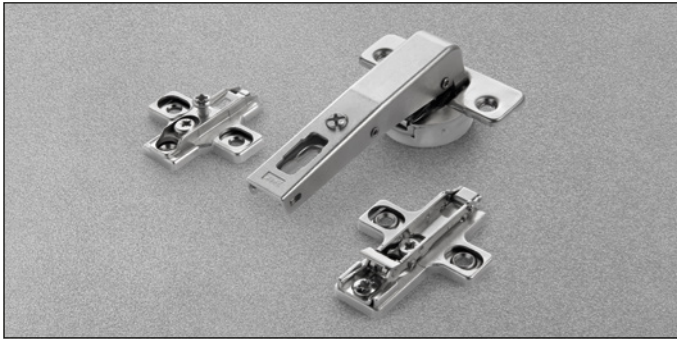


Attachment	Nickel
Wood screw	C1P6ME9
Dowel	C1R6ME9
Rapido	C176ME9

Arm 45°



Attachment	Nickel
Wood screw	C1P6ME9AC
Dowel	C1R6ME9AC
Rapido	C176ME9AC
Logica	C1J6ME9AC



Technical Information

Hinges with adjustable integrated soft-close mechanism operated by twin fluid dampers housed in the hinge cup. The decelerating effect is adjusted by using a simple switch.

Inset blind corner hinges for cabinet sides with 37 x 32 standard drilling.
Hinges for small/light door material or heavy front profiles.
12 mm deep cup.

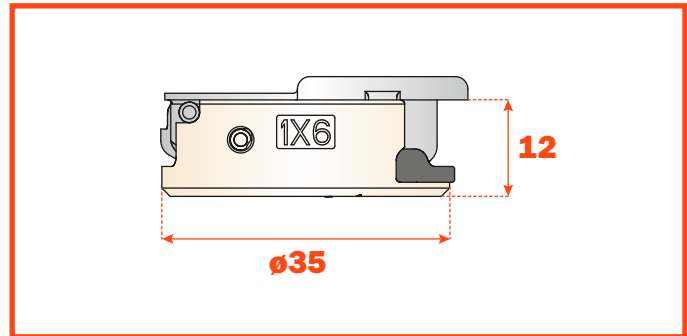
105° opening.

Possible drilling distance on the door (K): from 3 to 6 mm.

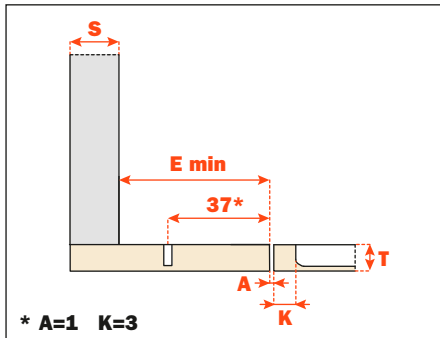
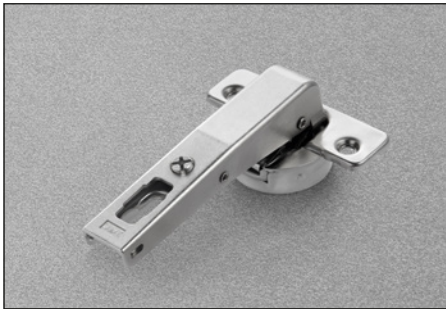
Compatible with all traditional 200 Series mounting plates and with all Domi snap-on mounting plates.

Packing • Boxes 150 pcs. • Pallets 3.600 pcs.

Use the tables "Drilling and attachment" at page 11 to complete the code number of the desired hinge.



Inset blind corner

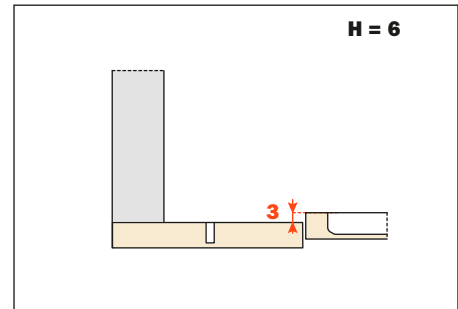
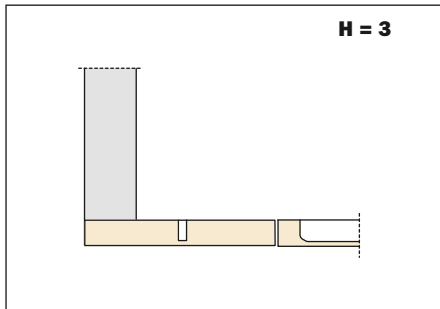
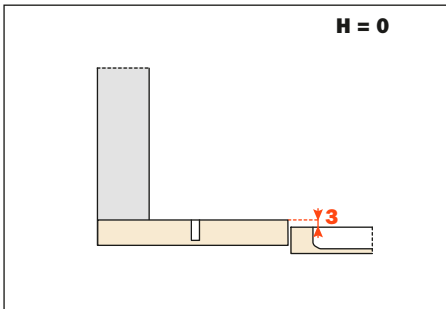


Attachment	Nickel
Wood screw	C1P6NE9AC
Dowel	C1R6NE9AC
Rapido	C176NE9AC

E min:

- 61 mm for 200 Series mounting plates.
- 70 mm for Domi snap-on mounting plates.
- 74 mm for Domi snap-on mounting plates with back cam.

Heights of mounting plates for every application.



Silentia • 100 Series • Complementary hinges

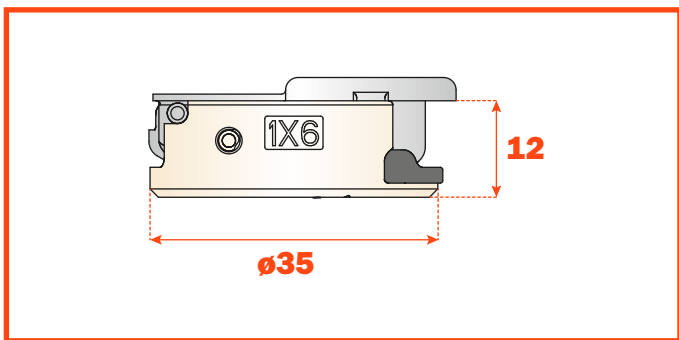


Technical information

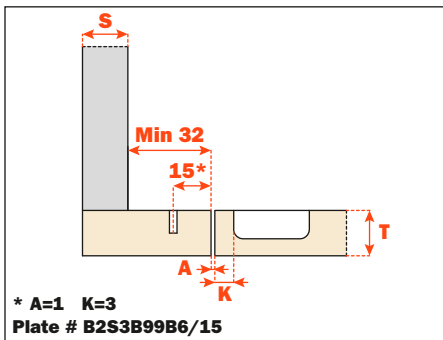
Hinges with adjustable integrated soft-close mechanism operated by twin fluid dampers housed in the hinge cup. The decelerating effect is adjusted by using a simple switch. For smaller spaces with 15 x 32 mm drilling. Inset blind corner hinge short arm Hinges for min. 15 mm thick doors. 12 mm deep cup. 105° opening. Possible drilling distance on the door (K): from 3 to 9 mm. **NOT COMPATIBLE** with Domi snap-on mounting plates. Use only with B2S baseplates

Packing • Boxes 150 pcs. • Pallets 3.600 pcs.

Use the tables "Drilling and attachments" at page 11 to complete the code number of the desired hinge.

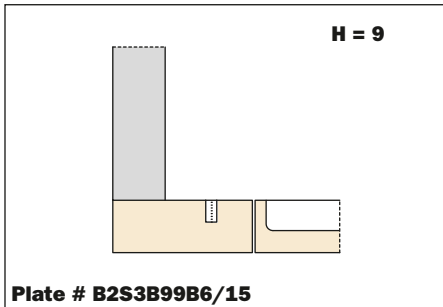
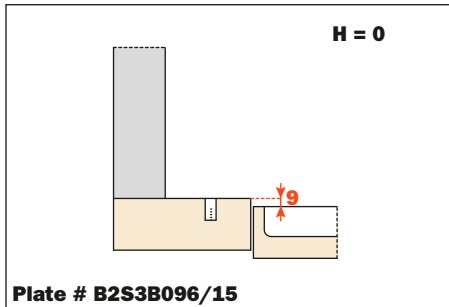


Inset blind corner hinge



Attachment	Nickel
Dowel	C1R6NE9

Heights of mounting plates for every application.





Silentia+ • 200 Series for Thick doors or 0 Protrusion

Silentia+

- 200 Series for thick doors
- 94° opening • 0 protrusion

Technical features

Integrated soft close by means of twin fluid dampers

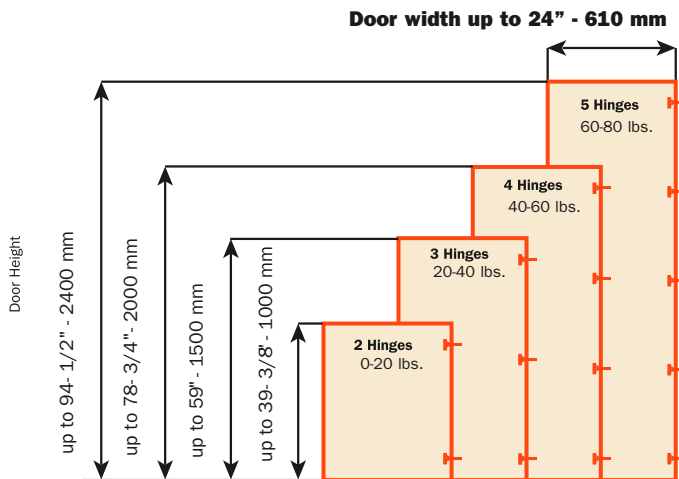
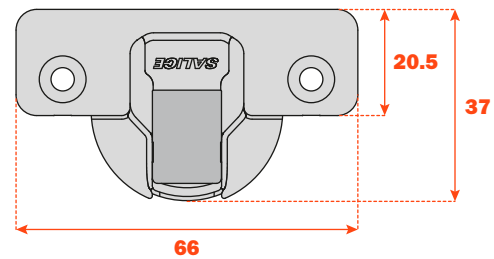
- Adjustment switch to set a comfortable soft close action
- Impervious to temperature extremes
- Very smooth opening with minimal resistance
- Patented compensating parallel side adjustment
- Available in all Salice fixing types (Screw, Dowel, Rapido, Logica)
- Available in Nickel or Titanium finish
- Exceeds ANSI/BHMA standards A156.9-2020

Constant “L” value of 1.5 mm (it does not change during side adjustment).

The number of hinges required depends on the size, weight and material of the door.

The distance between the top and bottom hinge must be greater than the width of the door.

Additional hinges should be added if doors are near the border of the line of size or weight chart. Use the diagram below to determine the number of hinges.



Adjustments

Compensating (parallel) side adjustment from -1.5 mm to +4.5 mm.
 Height adjustment ±2 mm.
 Depth adjustment with Domi snap-on mounting plates from -0.5 mm to +2.8 mm.
 Depth adjustment with 200 Series mounting plates +2.8 mm.

Mounting plates

Snap-on assembly on Domi mounting plates.
 Symmetrical and asymmetrical bright nickel plated steel or die-cast 200 Series mounting plates

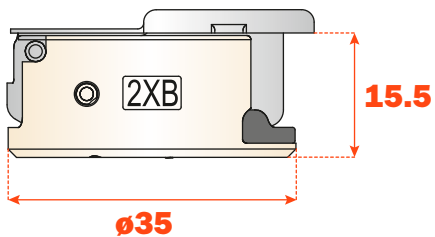
Note: Use No. 2 Pozi drive screwdrivers for all screws.

Drilling and attachment

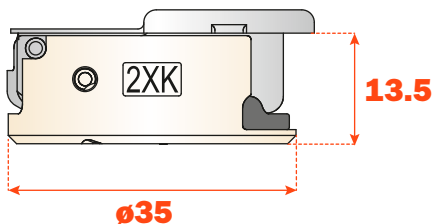
Wood screw		P	P
Dowel		R	R
Rapido		7	7
Logica		J	J

Use this table to identify the available attachment options to the door.
 Fill the third position of the hinge code number with the letter or the number corresponding to your choice. I.e.: C2_BAE9.

↑
 Fill this position with the chosen letter or number.



94° opening and complementary hinges



155° opening 0 protrusion hinges

Silentia • 200 Series for thick doors • 94° opening



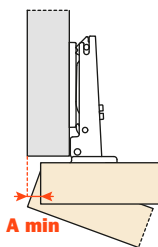
Technical information

Hinges with adjustable integrated soft-close mechanism operated by twin fluid dampers housed in the hinge cup. The decelerating effect is adjusted by using a simple switch.

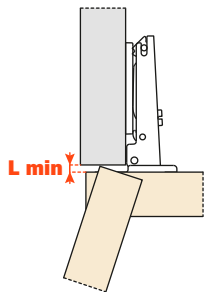
Minimum 18 mm / maximum 35 mm door thickness
15.5 mm deep cup.

94° opening.
Possible drilling distance on the door (K): from 3 to 9 mm.
Compatible with all traditional 200 Series mounting plates and with all Domi snap-on mounting plates.

Space needed to open the door



T=	19	20	21	22	23	24	25	26	27	28	29	30	31	32	33	34	35
K=3	A= 0.1	0.2	0.3	0.4	0.5	0.7	0.8	1.0	1.6	2.6	3.5	4.5	5.4	6.4	7.4	8.3	9.3
K=4	A= 0.1	0.2	0.3	0.4	0.5	0.7	0.8	1.0	1.2	1.9	2.8	3.8	4.7	5.7	6.6	7.6	8.6
K=5	A= 0.1	0.2	0.3	0.4	0.5	0.7	0.8	1.0	1.2	1.4	2.2	3.1	4.1	5.0	5.9	6.9	7.8
K=6	A= 0.1	0.2	0.3	0.4	0.5	0.6	0.8	1.0	1.2	1.4	1.7	2.6	3.5	4.4	5.3	6.2	7.2
K=7	A= 0.1	0.2	0.3	0.4	0.5	0.6	0.8	1.0	1.1	1.3	1.6	2.1	3.0	3.8	4.7	5.6	6.5
K=8	A= 0.1	0.2	0.3	0.4	0.5	0.6	0.8	0.9	1.1	1.3	1.6	1.8	2.5	3.3	4.2	5.1	6.0
K=9	A= 0.1	0.2	0.3	0.4	0.5	0.6	0.8	0.9	1.1	1.3	1.5	1.8	2.1	2.9	3.7	4.6	5.4

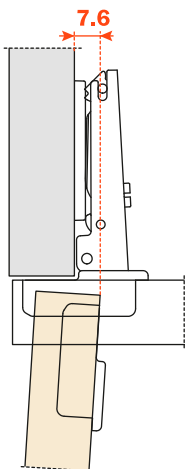


K	3	4	5	6	7	8	9
L=	0.0	0.0	0.0	0.0	0.0	0.3	1.3

The above values are calculated on doors with a 1 mm radiussed edge. They are reduced if the doors have greater radiussed edges.

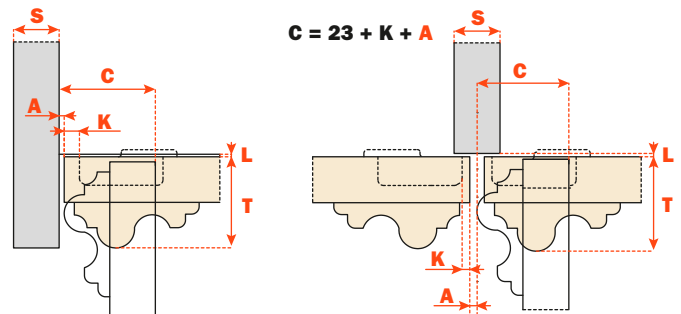
Protrusion of the door

Protrusion of the door from the cabinet side at the max. opening. The figures are based on a straight arm hinge, H=0 mm thickness of mounting plate and K value = 3 mm.



“C” value

With this formula you can obtain the max. thickness of the moulded door that can be opened without touching adjacent cabinet sides, doors or walls, while bearing in mind the above L · K · T values.



Abbreviations:

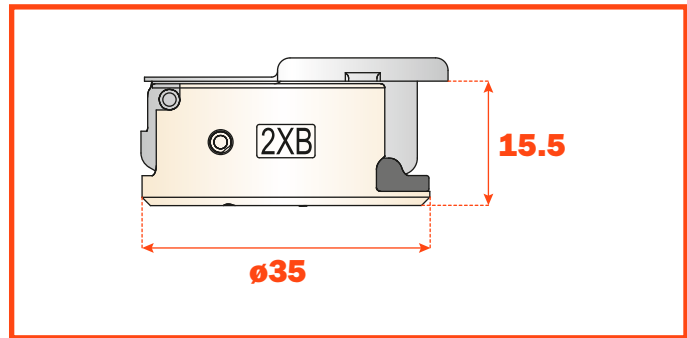
S = Thickness of the cabinet side	A = Reveal
D = Required door overlay	L = Gap between the door and cabinet
T = Door thickness	H = Height of the mounting plate
K = Drilling distance	G = Hinge constant

Packing • Boxes 300 pcs. • Pallets 7.200 pcs.

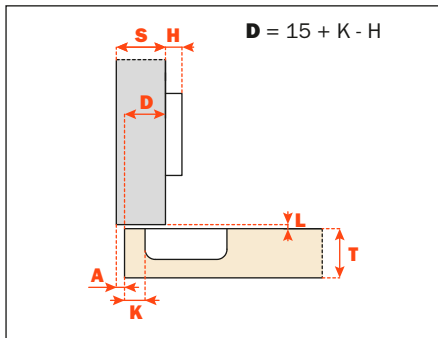
Use these formulas to determine the type of hinge arm, the drilling distance "K" and the height of the mounting plate "H" which is necessary to solve each application problem.

Use the tables "Drilling and attachment" at page 19 to complete the code number of the desired hinge.

***Check with your Salice sales representative or customer service for specific Titanium availability**

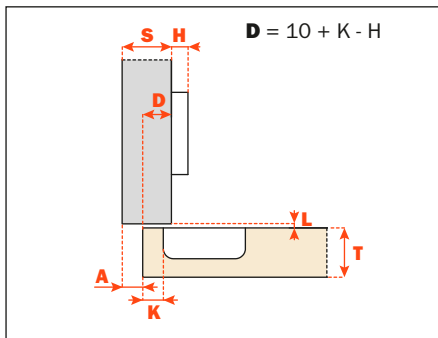


Full overlay/ A crank - 0 mm



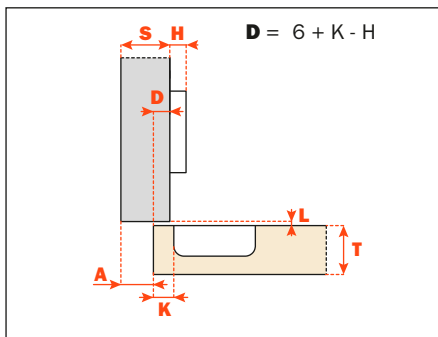
Attachment	Nickel	Titanium
Wood screw	C2PBAE9	C2PBAE6
Dowel	C2RBAE9	C2RBAE6
Rapido	C27BAE9	-
Logica	C2JBAE9	-

1/2" overlay/ D crank - 5 mm



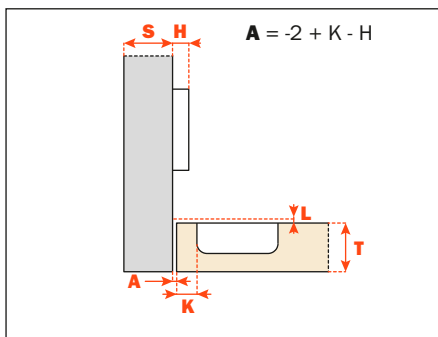
Attachment	Nickel	Titanium
Wood screw	C2PBDE9	-
Dowel	C2RBDE9	-
Rapido	C27BDE9	-
Logica	C2JBDE9	-

Half overlay/ G crank - 9 mm



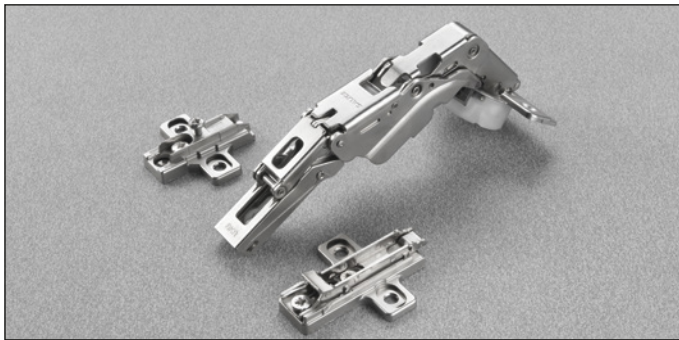
Attachment	Nickel	Titanium
Wood screw	C2PBGE9	C2PBGE6
Dowel	C2RBGE9	C2RBGE6
Rapido	C27BGE9	-
Logica	C2JBGE9	-

Inset/ P crank - 17 mm



Attachment	Nickel	Titanium
Wood screw	C2PBPE9	C2PBPE6
Dowel	C2RBPE9	C2RBPE6
Rapido	C27BPE9	-

Silentia • 200 Series 155° 0 Protrusion



Technical information

Hinges with integrated soft-close mechanism operated by twin fluid dampers housed in the hinge cup.

Hinges for 0 protrusion or wide opening angle 13.5 mm deep cup.

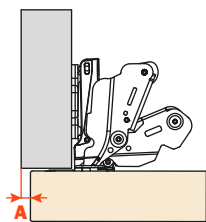
Minimum. 16 mm - 28 mm maximum door thickness.

155° opening.

Possible drilling distance on the door (K): from 3 to 8 mm.

Compatible with all traditional 200 Series mounting plates and with all Domi snap-on mounting plates.

Space needed to open the door



	T=	16	18	20	22	24	25	26	27	28
K=3	A=	0.0	0.0	0.0	0.0	0.0	0.10	0.40	0.75	1.20
K=4	A=	0.0	0.0	0.0	0.0	0.0	0.15	0.45	0.85	1.35
K=5	A=	0.0	0.0	0.0	0.0	0.0	0.20	0.50	0.95	120° 1.70
K=6	A=	0.0	0.0	0.0	0.0	0.0	0.25	0.60	1.10	120° 1.95
K=7	A=	0.0	0.0	0.0	0.0	0.0	0.30	0.70	1.30	92° 2.30
K=8	A=	0.0	0.0	0.0	0.0	0.0	0.35	0.85	120° 1.70	92° 2.80
K=9	A=	0.0	0.0	0.0	0.0	0.15	0.55	1.20	92° 2.15	

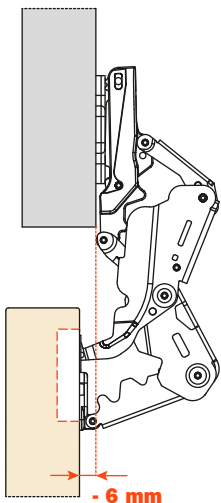
With opening stop device to 92° art. S2BM37XG

With opening stop device to 120° art. S2AM37XG

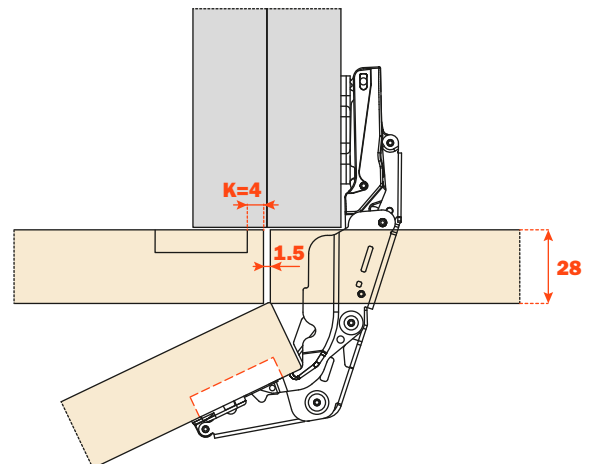
The above values are calculated on doors with a 1 mm radiussed edge. They are reduced if the doors have greater radiussed edges.

Protrusion of the door

The door combined with a mounting plate H=0 and a straight arm hinge opens at 90° with lateral door protrusion of -6 mm.



“C” value



Abbreviations:

S = Thickness of the cabinet side	A = Reveal
D = Required door overlay	L = Gap between the door and cabinet
T = Door thickness	H = Height of the mounting plate
K = Drilling distance	G = Hinge constant

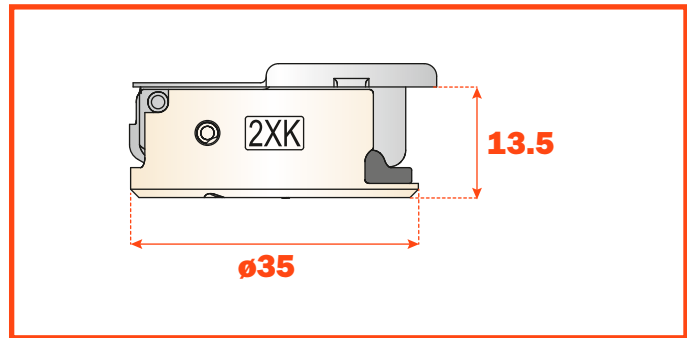
Packing • Boxes 100 pcs. • Pallets 2.400 pcs.

Use these formulas to determine the type of hinge arm, the drilling distance "K" and the height of the mounting plate "H" which is necessary to solve each application problem.

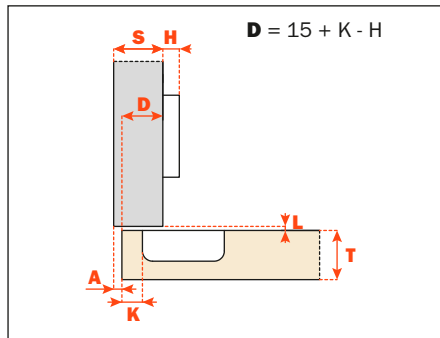
To limit the opening of the hinge, see page 63 chapter "Accessories".

Use the tables "Drilling and attachment" at page 19 to complete the code number of the desired hinge.

***Check with your Salice sales representative or customer service for specific Titanium availability**

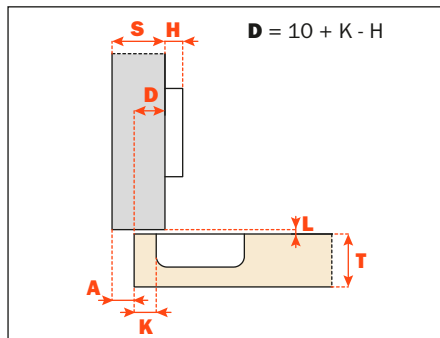


Full overlay/ A crank - 0 mm



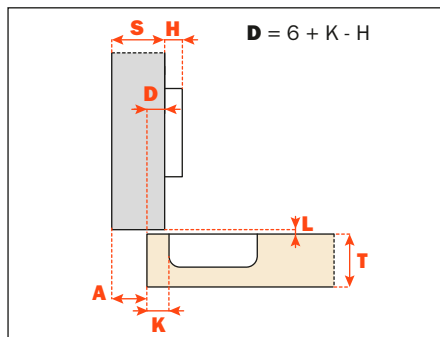
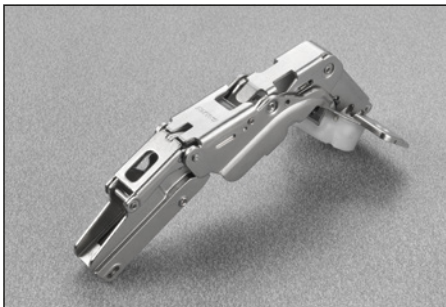
Attachment	Nickel	Titanium
Wood screw	C2PKAE9	C2PKAE6
Dowel	C2RKAE9	C2RKAE6
Rapido	C27KAE9	-
Logica	C2JKAE9	C2JKAE6

1/2" overlay/ D crank - 5 mm



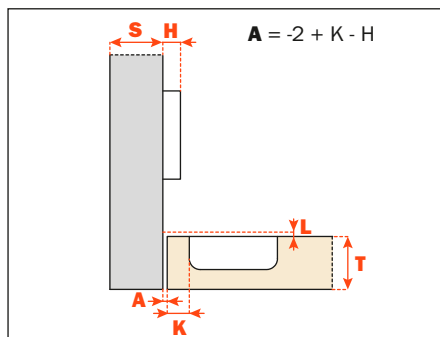
Attachment	Nickel
Wood screw	C2PKDE9
Dowel	C2RKDE9

Half overlay/ G crank - 9 mm



Attachment	Nickel	Titanium
Wood screw	C2PKGE9	C2PKGE6
Dowel	C2RKGE9	C2RKGE6
Logica	C2JKGE9	C2JKGE6

Inset/ P crank - 17 mm



Attachment	Nickel	Titanium
Wood screw	C2PKPE9	C2PKPE6
Dowel	C2RKPE9	C2RKPE6
Logica	C2JKPE9	C2JKPE6

Silentia • 200 Series for thick doors • Complementary hinges



Technical information

Hinges with adjustable integrated soft-close mechanism operated by twin fluid dampers housed in the hinge cup. The decelerating effect is adjusted by using a simple switch.

For doors with positive angled assembly.

Minimum 18 mm thick doors.

15.5 mm deep cup.

94° opening.

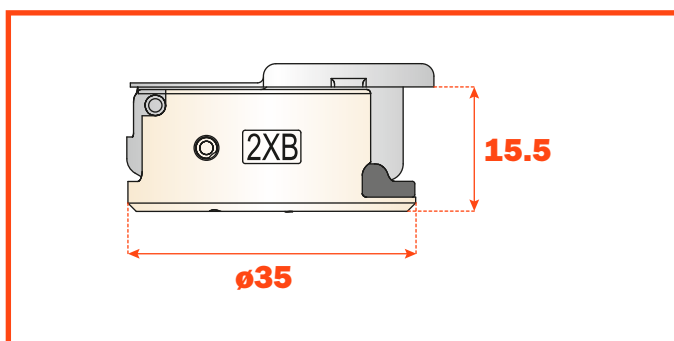
Possible drilling distance on the door (K): from 3 to 9 mm.

Compatible with all traditional 200 Series mounting plates and with all Domi snap-on mounting plates.

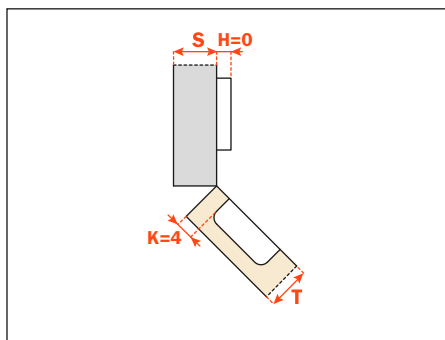
Packing • Boxes 150 pcs. • Pallets 3.600 pcs.


The solution of assembly problems where doors are mounted at a positive angle requires the verification of drilling distances by a practical trial. Please do not hesitate to consult our technical support department for assistance.

Use the tables "Drilling and attachment" at page 19 to complete the code number of the desired hinge.

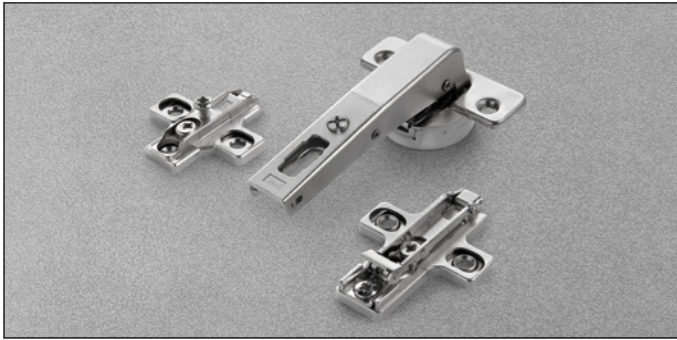


Arm 45°



Attachment	Nickel
 Dowel	C2RBME9

200 Series for thick doors • Complementary hinges



Technical information

Hinges with adjustable integrated soft-close mechanism operated by twin fluid dampers housed in the hinge cup. The decelerating effect is adjusted by using a simple switch.

Inset blind corner hinges.

For cabinet sides with 37x32 mm standard drilling.

Minimum 18 mm thick doors.

15.5 mm deep cup.

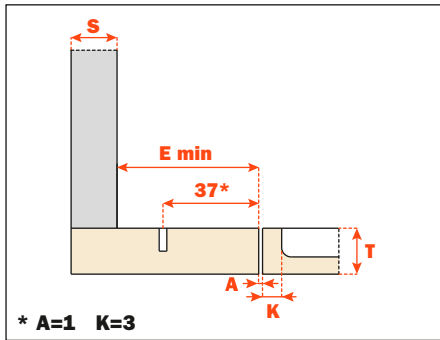
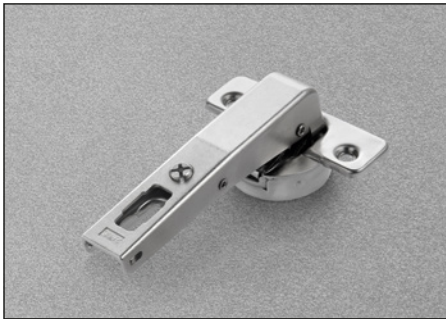
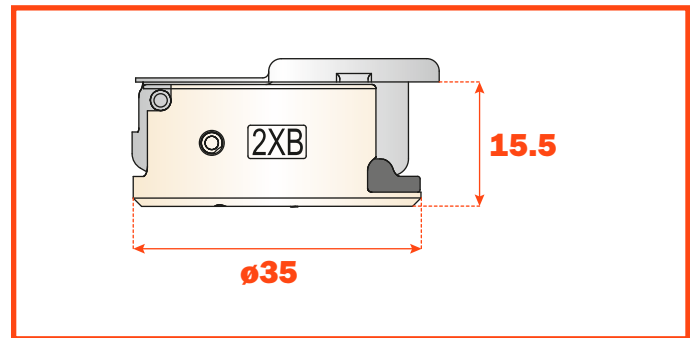
94° opening.

Possible drilling distance on the door (K): from 3 to 9 mm.

Compatible with all traditional 200 Series mounting plates and with all Domi snap-on mounting plates.

Packing • Boxes 150 pcs. • Pallets 3.600 pcs.

Use the tables “Drilling and attachment” at page 19 to complete the code number of the desired hinge.

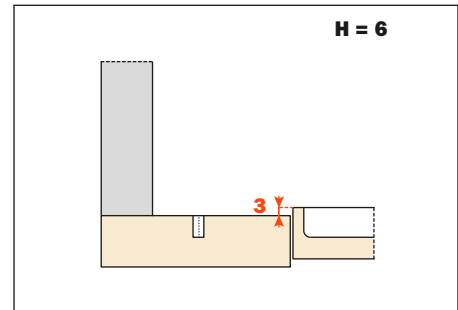
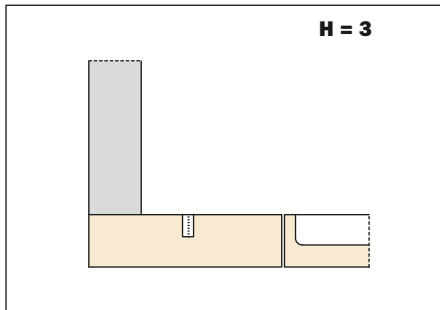
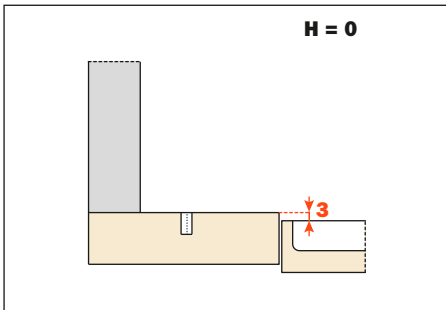


Attachment	Nickel
Wood screw	C2PBNE9AC
Dowel	C2RBNE9AC

E min:

- 61 mm for 200 Series mounting plates.
- 70 mm for Domi snap-on mounting plates.
- 74 mm for Domi snap-on mounting plates with back cam.

Heights of mounting plates for every application.





Silentia+ • 700 Series • 13.5 mm Cup Depth

Silentia • 700 Series

Technical features

Integrated soft close by means of twin fluid dampers

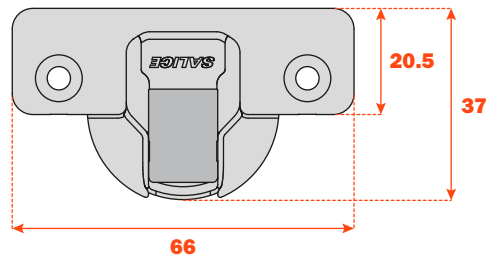
- Adjustment switch to set a comfortable soft close action
- Impervious to temperature extremes
- Very smooth opening with minimal resistance
- Patented compensating parallel side adjustment
- Available in all Salice fixing types (Screw, Dowel, Rapido, Logica)
- Available in Nickel or Titanium finish
- Exceeds ANSI/BHMA standards A156.9-2020

Constant “L” value of 1.5 mm (it does not change during side adjustment).

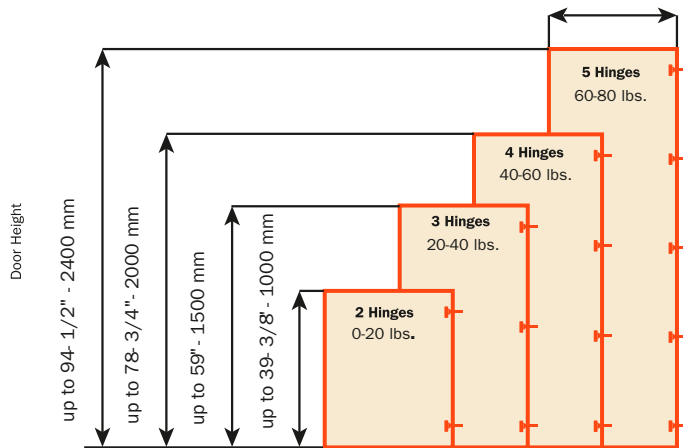
The number of hinges required depends on the size, weight and material of the door.

The distance between the top and bottom of the hinge must be greater than the width of the door.

Additional hinges should be added if doors are near the border of the line of size or weight chart. Use the diagram below to determine the number of hinges.



Door width up to 24" - 610 mm



Adjustments

Compensated (parallel) side adjustment from -1.5 mm to +4.5 mm.
 Height adjustment ± 2 mm.
 Depth adjustment with Domi snap-on mounting plates from -0.5 mm to +2.8 mm.
 Depth adjustment with 200 Series mounting plates +2.8 mm.
 Anti-sliding safety stop.

Mounting plates

Snap-on assembly on Domi mounting plates.
 Symmetrical and asymmetrical bright nickel plated steel or die-cast 200 Series mounting plates.
 Positioning with pre-determined stop on traditional 200 Series mounting plates.

Note: Use No. 2 Pozi drive screwdrivers for all screws.

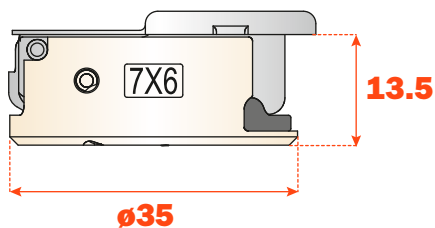
Drilling and attachment

Wood screw		P
Dowel		R
Rapido		7
Logica		J

**Use this table to identify the available attachment options to the door.
Fill the third position of the hinge code number with the letter or the number
corresponding to your choice. I.e.: C7_6AE9.**



Fill this position with the chosen letter or number.



**110° opening
and complementary hinges**

Silentia • 700 Series • 110° opening



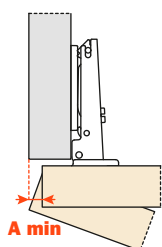
Technical information

Hinges with adjustable integrated soft-close mechanism operated by twin fluid dampers housed in the hinge cup. The decelerating effect is adjusted by using a simple switch.

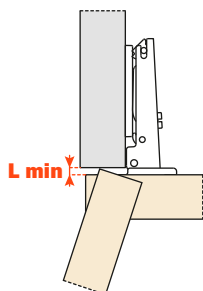
Minimum 16 mm / maximum 26 mm door thickness
13.5 mm deep cup.
110° opening.

Possible drilling distance on the door (K): from 3 to 6 mm.
Compatible with all traditional 200 Series mounting plates and with all Domi snap-on mounting plates.

Space needed to open the door



T=	16	17	18	19	20	21	22	23	24	25	26
K=3 A=	0.7	0.9	1.1	1.3	1.6	1.9	2.2	2.6	3.2	4.4	5.7
K=4 A=	0.6	0.8	1.1	1.3	1.6	1.8	2.2	2.5	2.9	3.4	4.7
K=5 A=	0.6	0.8	1.0	1.3	1.5	1.8	2.1	2.4	2.8	3.2	3.7
K=6 A=	0.6	0.8	1.0	1.2	1.5	1.8	2.1	2.4	2.7	3.1	3.6

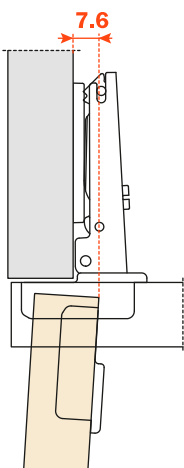


T=	16	17	18	19	20	21	22	23	24	25	26
K=3 L=	0.0	0.0	0.0	0.0	0.0	0.0	0.0	0.2	0.4	0.6	0.9
K=4 L=	0.0	0.0	0.0	0.3	0.5	0.7	0.9	1.1	1.4	1.6	1.8
K=5 L=	0.6	0.8	1.0	1.2	1.5	1.7	1.9	2.1	2.4	2.6	2.8
K=6 L=	1.5	1.8	2.0	2.2	2.4	2.7	2.9	3.1	3.3	3.6	3.8

The above values are calculated on doors with a 1 mm radiussed edge. They are reduced if the doors have greater radiussed edges.

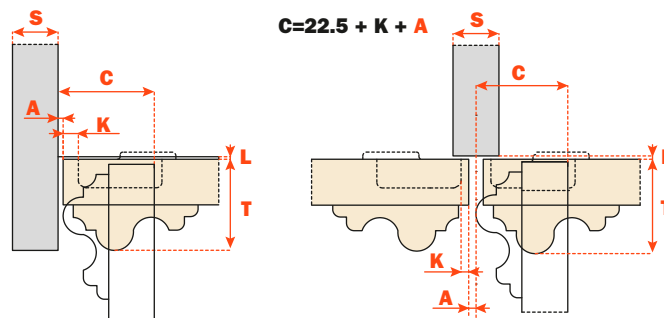
Protrusion of the door

Protrusion of the door from the cabinet side at the max. opening. The figures are based on a straight arm hinge, H=0 mm thickness of mounting plate and K value = 3 mm.



“C” value

With this formula you can obtain the max. thickness of the moulded door that can be opened without touching adjacent cabinet sides, doors or walls, while bearing in mind the above L · K · T values.



Abbreviations:

S = Thickness of the cabinet side	A = Reveal
D = Required door overlay	L = Gap between the door and cabinet
T = Door thickness	H = Height of the mounting plate
K = Drilling distance	G = Hinge constant

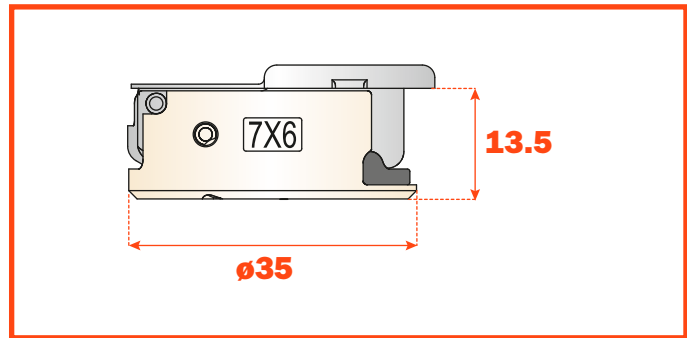
Packing • Boxes 300 pcs. • Pallets 7.200 pcs.

Use these formulas to determine the type of hinge arm, the drilling distance "K" and the height of the mounting plate "H" which is necessary to solve each application problem.

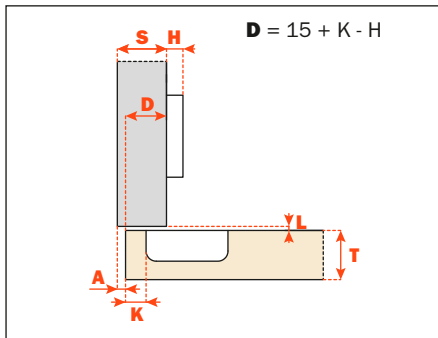
Use the tables "Drilling and attachments" at page 29 to complete the code number of the desired hinge.

To limit the opening of the hinge, see page 63, chapter "Accessories".

***Check with your Salice sales representative or customer service for specific Titanium availability**

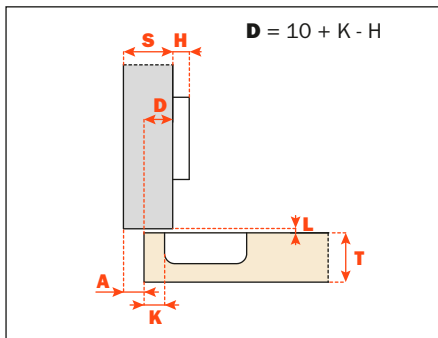


Full overlay/ A crank - 0 mm



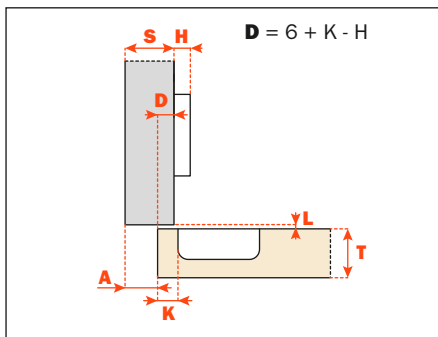
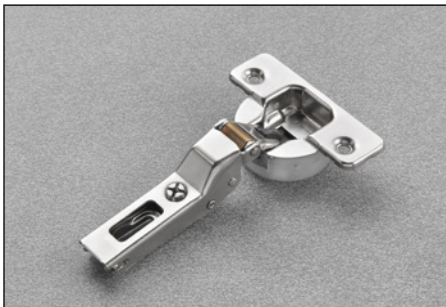
Attachment	Nickel	Titanium
Wood screw	C7P6AE9	C7P6AE6
Dowel	C7R6AE9	C7R6AE6
Rapido	C776AE9	-
Logica	C7J6AE9	C7J6AE6

1/2" overlay/ D crank - 5 mm



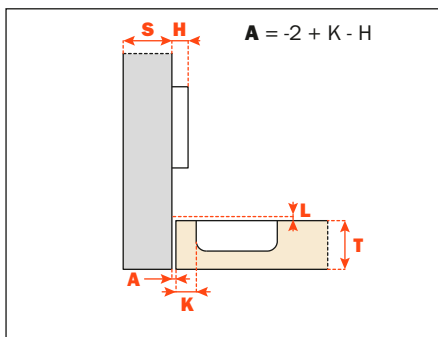
Attachment	Nickel	Titanium
Wood screw	C7P6DE9	-
Dowel	C7R6DE9	-
Rapido	C776DE9	-
Logica	C7J6DE9	-

Half overlay/ G crank - 9 mm



Attachment	Nickel	Titanium
Wood screw	C7P6GE9	C7P6GE6
Dowel	C7R6GE9	C7R6GE6
Rapido	C776GE9	-
Logica	C7J6GE9	C7J6GE6

Inset/ P crank - 17 mm



Attachment	Nickel	Titanium
Wood screw	C7P6PE9	C7P6PE6
Dowel	C7R6PE9	C7R6PE6
Rapido	C776PE9	-
Logica	C7J6PE9	C7J6PE6

Silentia • 700 Series • Complementary hinges



Technical information

Hinges with adjustable integrated soft-close mechanism operated by twin fluid dampers housed in the hinge cup. The decelerating effect is adjusted by using a simple switch.

For doors with positive angled assembly.

Minimum 16 mm thick doors.

13.5 mm deep cup.

110° opening.

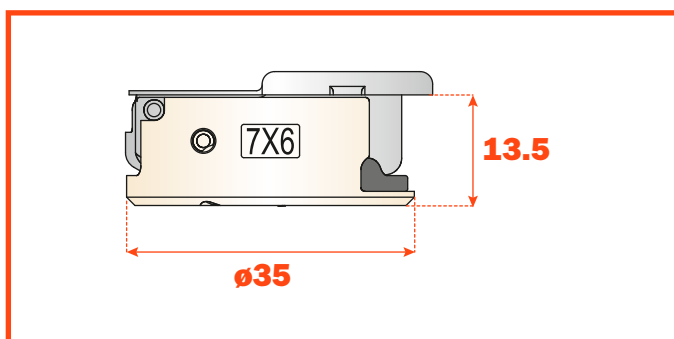
Possible drilling distance on the door (K): from 3 to 6 mm.

Compatible with all traditional 200 Series mounting plates and with all Domi snap-on mounting plates.

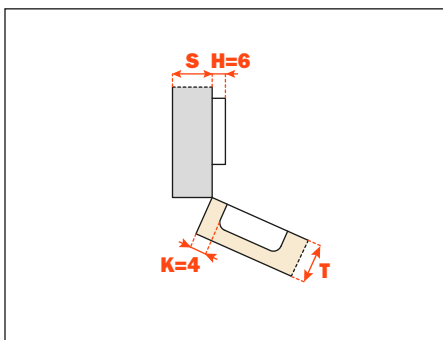
Packing • Boxes 150 pcs. • Pallets 3.600 pcs.

The solution of assembly problems where doors are mounted at a positive angle requires the verification of drilling distances by a practical trial. Please do not hesitate to consult our technical support department for assistance.

Use the tables “Drilling and attachment” at page 29 to complete the code number of the desired hinge.

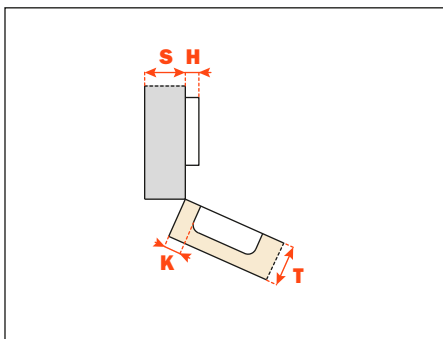
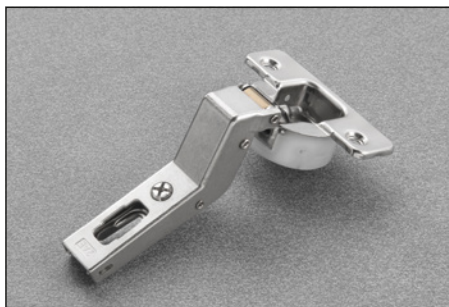


Arm 24°



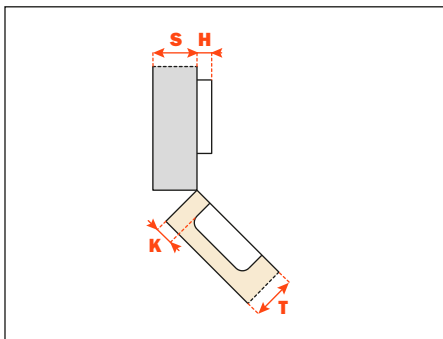
Attachment	Nickel
Dowel	C7R6UE9

Arm 30°



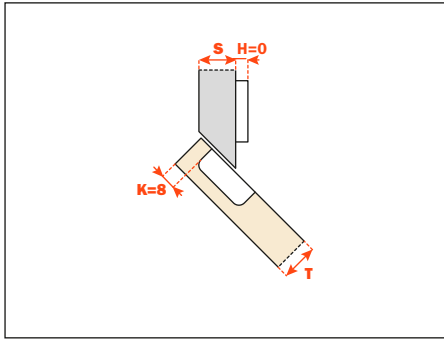
Attachment	Nickel	Titanium
Dowel	C7R6EE9	C7R6EE6

Arm 45°



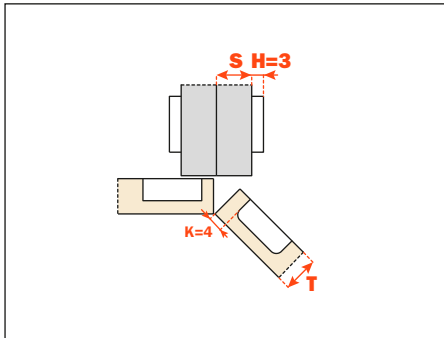
Attachment	Nickel	Titanium
Dowel	C7R6ME9	C7R6ME6


Arm 45°



Attachment	Nickel
 Dowel	C7R6VE9

Arm 45°



Attachment	Nickel
 Dowel	C7R6ME9AC

Silentia • 700 Series • Complementary hinges



Technical information

Hinges with adjustable integrated soft-close mechanism operated by twin fluid dampers housed in the hinge cup. The decelerating effect is adjusted by using a simple switch.

For doors with negative angled assembly.

Minimum 16 mm thick doors.

13.5 mm deep cup.

110° opening.

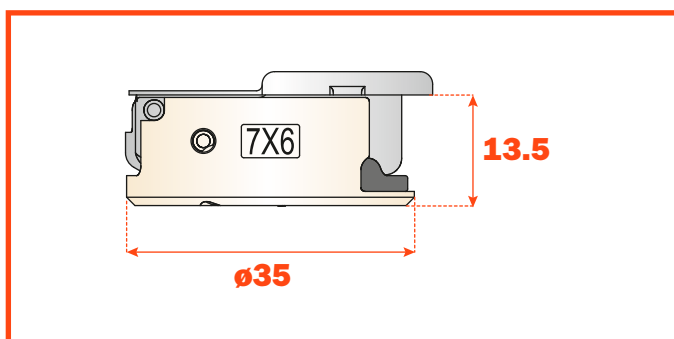
Possible drilling distance on the door (K): from 3 to 6 mm.

Compatible with all traditional 200 Series mounting plates and with all Domi snap-on mounting plates.

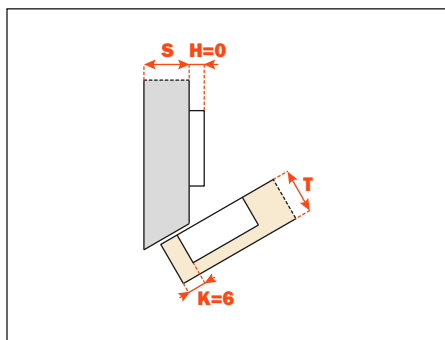
Packing • Boxes 150 pcs. • Pallets 3.600 pcs.



The solution of assembly problems where doors are mounted at a negative angle requires the verification of drilling distances by a practical trial. Please do not hesitate to consult our technical support department for assistance.

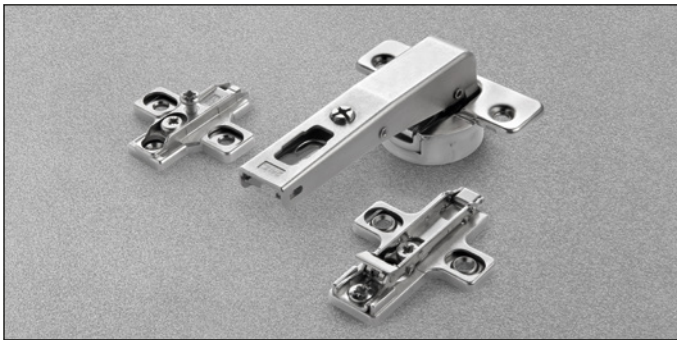
Use the tables "Drilling and attachment" at page 29 to complete the code number of the desired hinge.



Arm -30°



Attachment		Nickel
	Wood screw	C7P6WE9
	Dowel	C7R6WE9



Technical information

Hinges with adjustable integrated soft-close mechanism operated by twin fluid dampers housed in the hinge cup. The decelerating effect is adjusted by using a simple switch.

Inset blind corner hinges.

For cabinet sides with 37x32 mm standard drilling.

Minimum 16 mm thick doors.

13.5 mm deep cup.

110° opening.

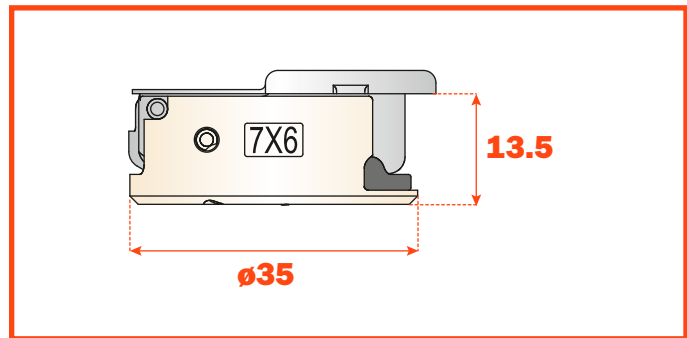
Possible drilling distance on the door (K): from 3 to 6 mm.

Compatible with all traditional 200 Series mounting plates and with all Domi snap-on mounting plates.

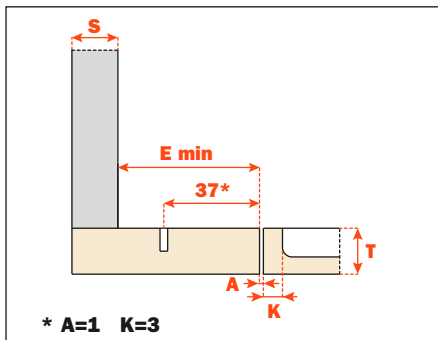
Packing • Boxes 150 pcs. • Pallets 3.600 pcs.

Use the tables "Drilling and attachments" at page 29 to complete the code number of the desired hinge.

***Check with your Salice sales representative or customer service for specific Titanium availability**



Inset blind corner hinge

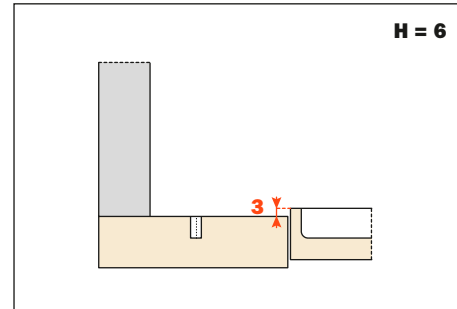
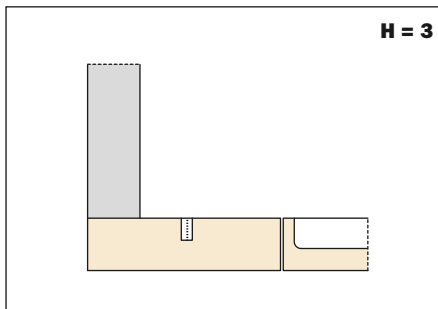
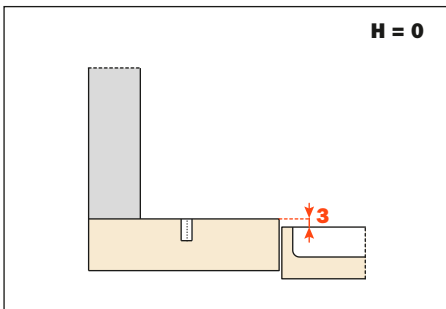


Attachment		Nickel
	Wood screw	C7P6NE9AC
	Dowel	C7R6NE9AC
	Logica	C7J6NE9AC

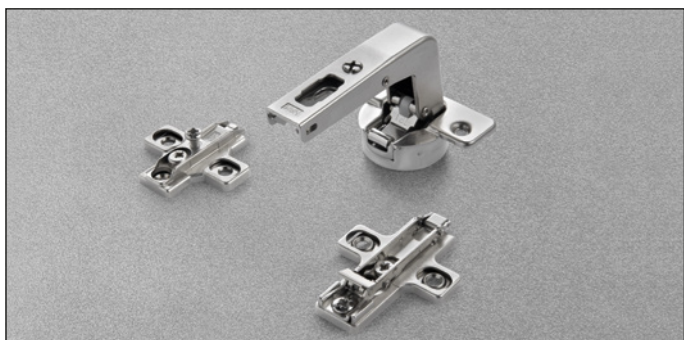
E min:

- 61 mm for 200 Series mounting plates.
- 70 mm for Domi snap-on mounting plates.
- 74 mm for Domi snap-on mounting plates with back cam.

Heights of mounting plates for every application.



Silentia • 700 Series • Complementary hinges



Technical information

Hinges with adjustable integrated soft-close mechanism operated by twin fluid dampers housed in the hinge cup. The decelerating effect is adjusted by using a simple switch.

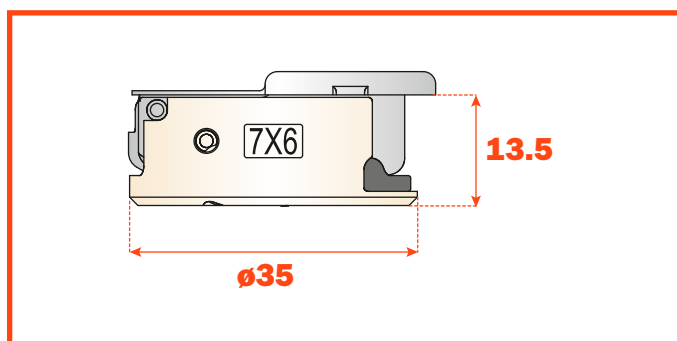
Overlay blind corner hinges.
Minimum 16 mm thick doors.
13.5 mm deep cup.

110° opening.
 Possible drilling distance on the door (K): from 3 to 6 mm.
 Compatible with all traditional 200 Series mounting plates and with all Domi snap-on mounting plates.

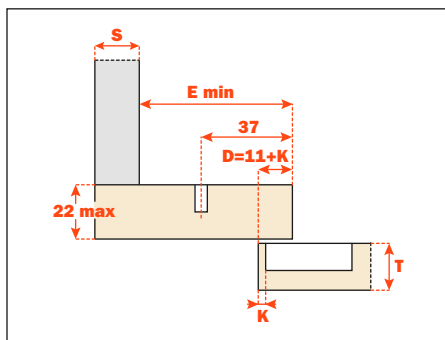
Packing • Boxes 150 pcs. • Pallets 3.600 pcs.

Use the tables “Drilling and attachments” at page 29 to complete the code number of the desired hinge.

***Check with your Salice sales representative or customer service for specific Titanium availability**



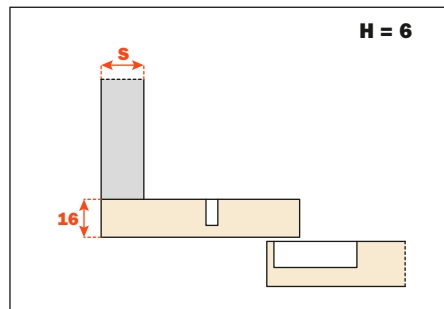
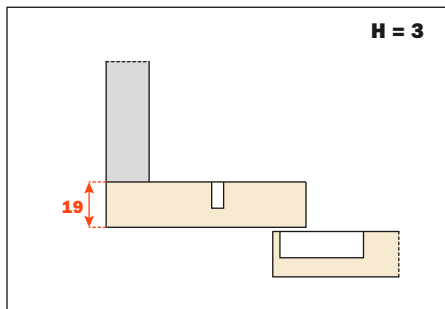
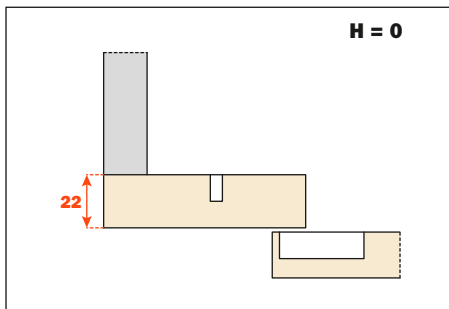
Overlay blind corner hinge



	Attachment	Nickel
	Wood screw	C7P6NE9AM
	Dowel	C7R6NE9AM

E min:
 • 61 mm for 200 Series mounting plates.
 • 70 mm for Domi snap-on mounting plates.
 • 74 mm for Domi snap-on mounting plates with back cam.

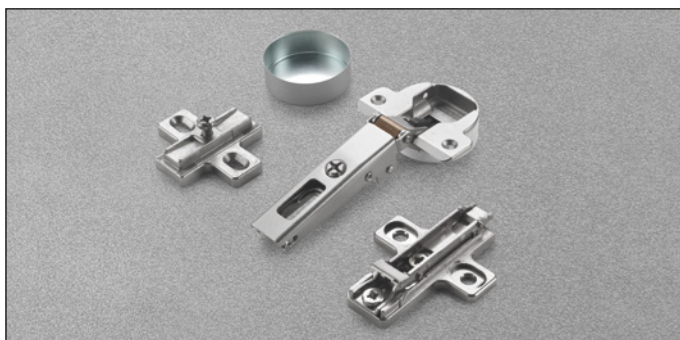
Heights of mounting plates for every application.





Silentia+ • For metal profiles

Silentia+ • For metal profiles



Technical information

Hinges with adjustable integrated soft-close mechanism operated by twin silicone-oil dampers housed in the hinge cup. The decelerating effect is adjusted by using a simple switch.

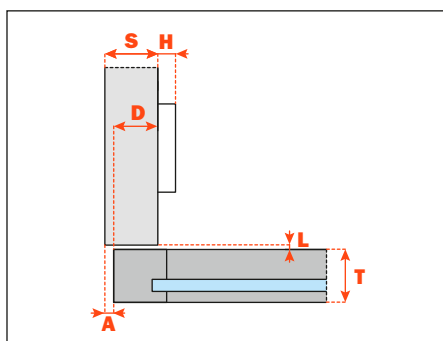
Hinges specially developed for use with metal profiles.


105° opening.

We recommend the use of countersunk flat head self tapping screws \varnothing 2.9x6.5 UNI 6955 DIN 7982 to fix C1Z6 hinges.

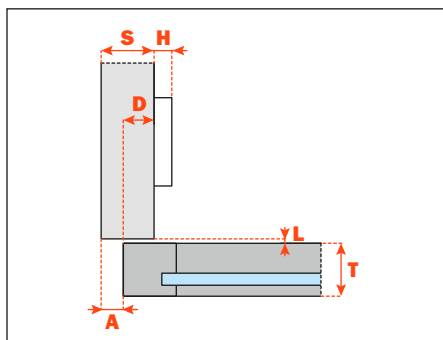
Compatible with all traditional Series 200 mounting plates and with all Domi snap-on mounting plates.


Full overlay / A crank - **0** mm



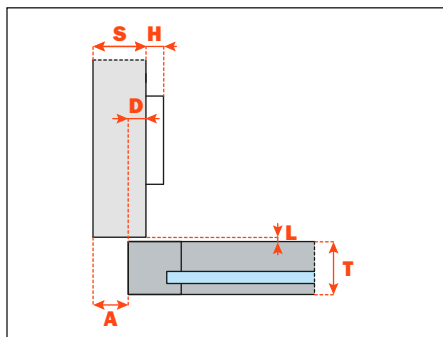
Attachment	Nickel
 \varnothing 2.9x6.5 UNI 6955 DIN 7982	C1Z6AE9


1/2" overlay / D crank - **5** mm



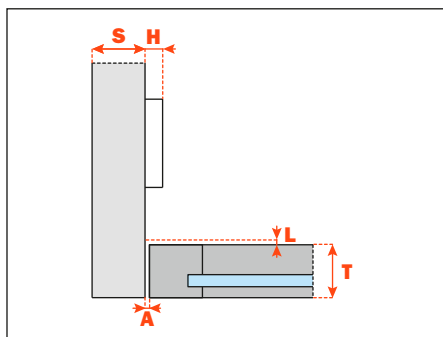
Attachment	Nickel
 \varnothing 2.9x6.5 UNI 6955 DIN 7982	C1Z6DE9


Half overlay / G crank - **9** mm



Attachment	Nickel
 \varnothing 2.9x6.5 UNI 6955 DIN 7982	C1Z6GE9

Inset / P crank - **17** mm



Attachment	Nickel
 \varnothing 2.9x6.5 UNI 6955 DIN 7982	C1Z6PE9

Complementary hinges



Technical information

Hinges with adjustable integrated soft-close mechanism operated by twin silicone-oil dampers housed in the hinge cup. The decelerating effect is adjusted by using a simple switch.

For doors with positive angled assembly.

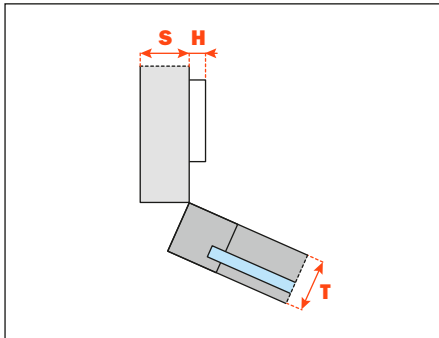
Hinges specially developed for use with metal profiles.


105° opening.

We recommend the use of countersunk flat head self tapping screws $\varnothing 2.9 \times 6.5$ UNI 6955 DIN 7982 to fix C1Z6 hinges.

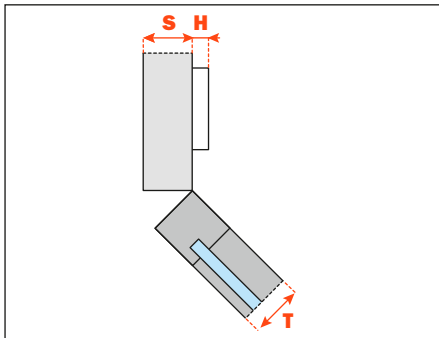
Compatible with all traditional Series 200 mounting plates and with all Domi snap-on mounting plates.


Arm 30°



Attachment	Nickel
 $\varnothing 2.9 \times 6.5$ UNI 6955 DIN 7982	C1Z6EE9

Arm 45°



Attachment	Nickel
 $\varnothing 2.9 \times 6.5$ UNI 6955 DIN 7982	C1Z6ME9

Silentia • For metal profiles • Complementary hinges



Technical information

Hinges with adjustable integrated soft-close mechanism operated by twin silicone-oil dampers housed in the hinge cup. The decelerating effect is adjusted by using a simple switch.

Crampon hinges.

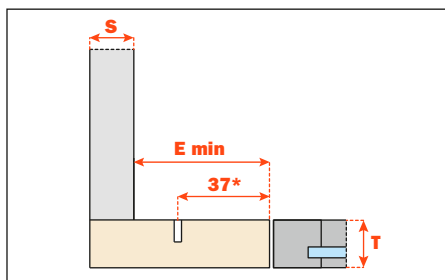
For cabinet sides with 37x32 mm standard drilling.


Hinges specially developed for use with metal profiles.

105° opening.

We recommend the use of countersunk flat head self tapping screws \varnothing 2.9x6.5 UNI 6955 DIN 7982 to fix C1Z6 hinges.

Compatible with all traditional Series 200 mounting plates and with all Domi snap-on mounting plates.



Attachment	Nickel
 \varnothing 2.9x6.5 UNI 6955 DIN 7982	C1Z6NE9AC

E min:

- 61 mm for Series 200 mounting plates.
- 70 mm for Domi snap-on mounting plates.
- 74 mm for Domi snap-on mounting plates with back cam.



Technical information

Hinges with adjustable integrated soft-close mechanism operated by twin silicone-oil dampers housed in the hinge cup. The decelerating effect is adjusted by using a simple switch.

Crampon hinges.

For smaller spaces with 15x32 mm drilling.

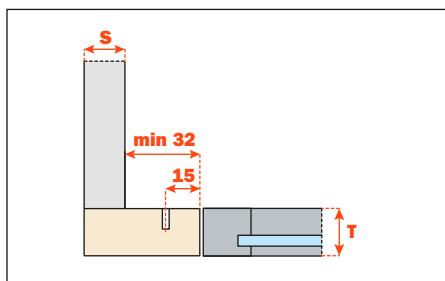
Hinges specially developed for use with metal profiles.


105° opening.

We recommend the use of countersunk flat head self tapping screws \varnothing 2.9 x 6.5 UNI 6955 DIN 7982 to fix C1Z6 hinges.

Compatible with all traditional Series 200 mounting plates, drilling 28x32 mm.

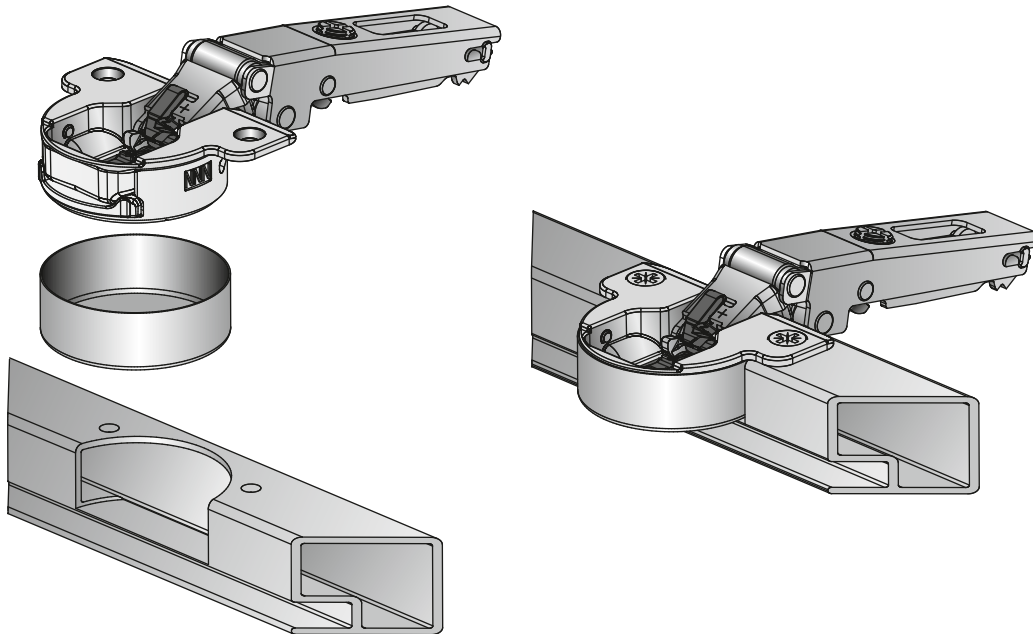
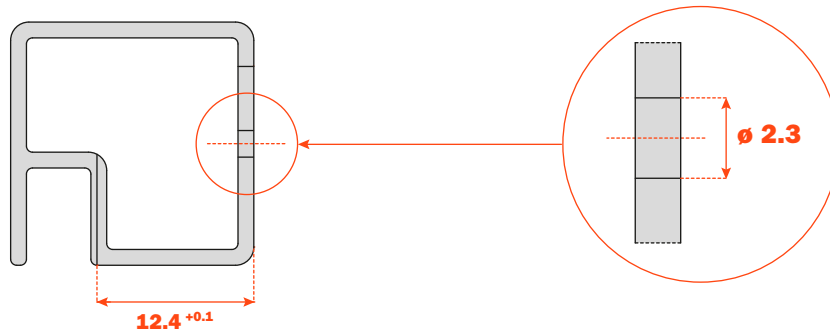
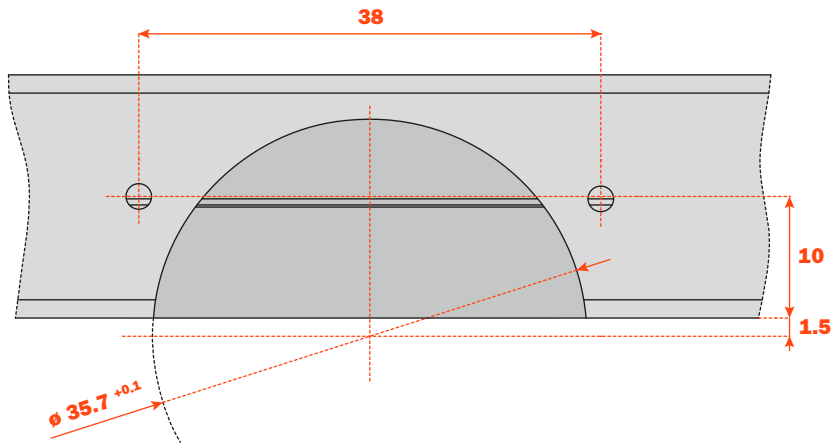
NOT COMPATIBLE with Domi snap-on mounting plates.



Attachment	Nickel
 \varnothing 2.9x6.5 UNI 6955 DIN 7982	C1Z6NE9

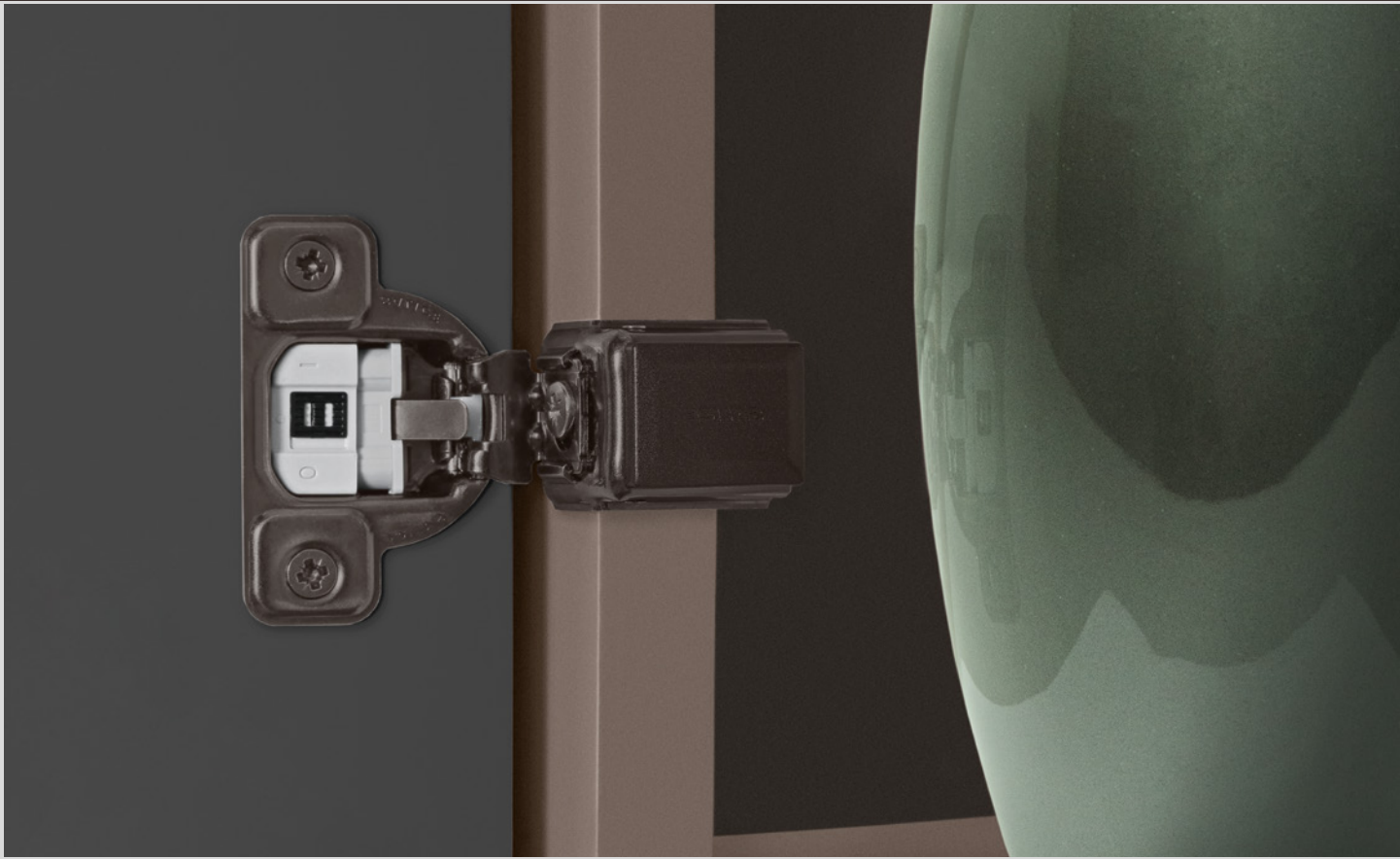
Drilling of the metal profile

Countersunk flat head self tapping screws $\varnothing 2.9 \times 6.5$ UNI 6955 - DIN 7982



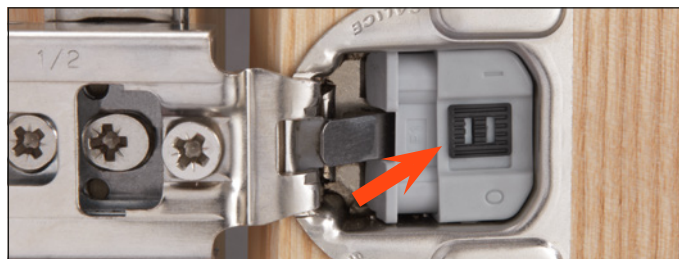
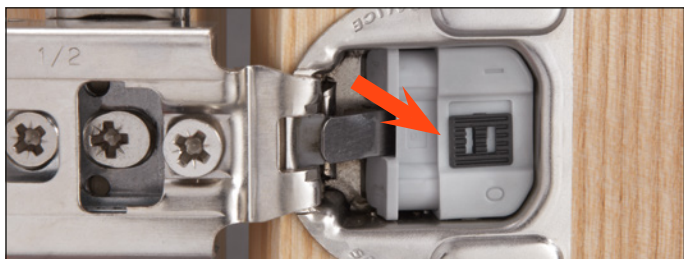
D1Z6HSK

Fancy cover for hinge
(should be ordered separately)



Silentia+ CU Series Face Frame Hinges

Silentia+ • Series CU Face Frame



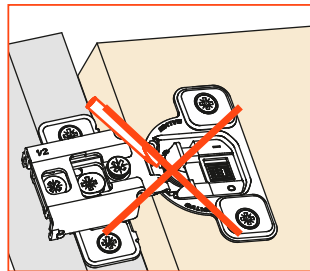
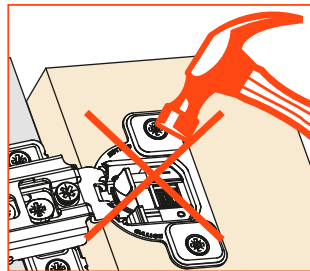
To adjust the soft close start from 30° to 10°, move the switch to **0**.

To adjust the soft close start from 10° to 30°, move the switch to **I**.

ATTENTION

DO NOT insert with a hammer or mallet.

DO NOT remove the soft-close mechanism as it will cause permanent damage.



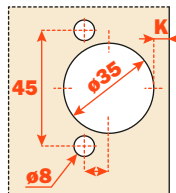
General information

All overlays are calculated with a K = 2.5 mm.
All Silentia+ face frame hinges have a variable drilling distance (K) of 2.5 mm - 6.0 mm.

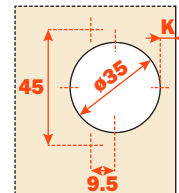
Boring Pattern

Boring distance from the edge of the door:

Press-in



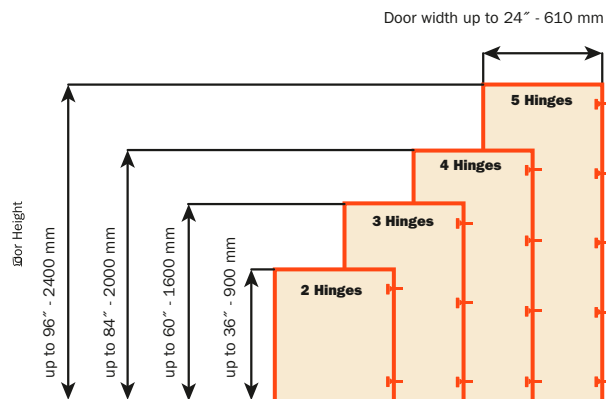
Screw-in.



Recommended number of hinges per door.

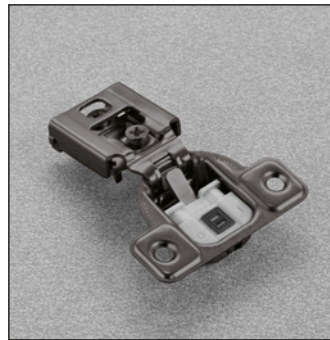
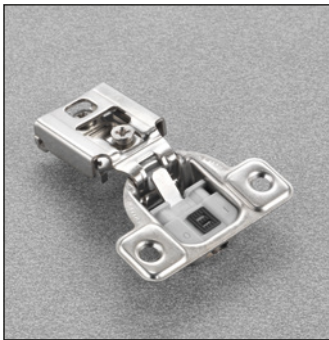
The number of hinges required depends on the size, weight and quality of the door. The distance between the top and bottom hinge must be greater than the width of the door. Additional hinges should be added if doors are near the border line of size or weight chart. Use the diagram below to determine number of hinges needed.

Maximum door weight.			
ø 35 mm	20lb	40lb	60lb
No. of hinges	2	3	4



Millimeter to inch equivalents																
mm	1	1.5	2	3	4	5	5.5	6	7	8	9	9.5	10	11	12	13
inch	1/32"	1/16"	3/32"	1/8"	5/32"	3/16"	7/32"	1/4"	9/32"	5/16"	11/32"	3/8"	13/32"	7/16"	15/32"	1/2"
mm	14	15	16	17	17.5	18	19	20	20.5	21	22	23	24	24.5	25.4	
inch	9/16"	19/32"	5/8"	21/32"	11/16"	23/32"	3/4"	25/32"	13/16"	27/32"	7/8"	29/32"	15/16"	31/32"	1"	

Series CU Face Frame - 2 cam adjustment



Integrated soft close face frame hinge with adjustment switch.

Stamped steel.
 Minimum door thickness 14mm (9/16").
 Maximum door thickness 22mm (7/8")
 Cup depth 11mm (7/16").
 Opening 106°.

Wraparound (front & rear tabs)

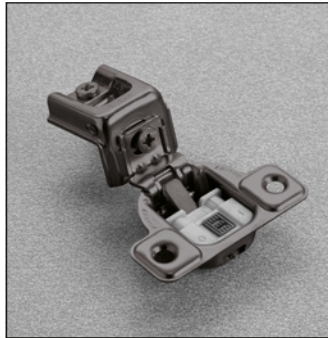
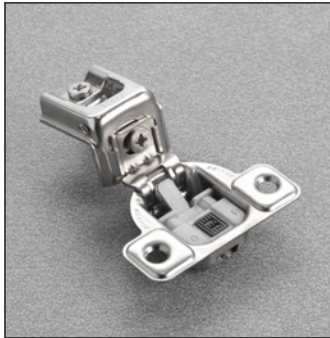
All Silentia+ face frame hinges have a variable drilling distance (K) of 2.5 mm - 6.0 mm.

Available in Nickel and Titanium finish.

	106° ø35	106° ø35	106° ø35	106° ø35	Packaging
	3/8"	1/2"	9/16"	5/8"	
	CUP39D9	CUP37D9	CUP36D9	CUP35D9	300
		CUP37D6 Titanium	CUP36D6 Titanium	CUP35D6 Titanium	300
	CUR39D9	CUR37D9	CUR36D9	CUR35D9	300
		CUR37D6 Titanium	CUR36D6 Titanium	CUR35D6 Titanium	300
All overlays are calculated with a K = 2.5 mm					
Suggested frame fixing screw #8 x 3/4" modified truss head - VU74X194					

	106° ø35				Packaging
	3/4"				
	CUP34D9				300
	CUP34D6 Titanium				300
	CUR34D9				300
	CUR34D6 Titanium				300
All overlays are calculated with a K = 2.5 mm					
	Zero-door protrusion				
Suggested frame fixing screw #8 x 3/4" modified truss head - VU74X194					

Silentia+ • Face Frame Hinges



Integrated soft close face frame hinge with adjustment switch.

Stamped steel.
 Minimum door thickness 14mm (9/16").
 Maximum door thickness 22mm (7/8").
 Cup depth 11 (7/16") mm.
 Opening 106°.

Wraparound (front & rear tabs)

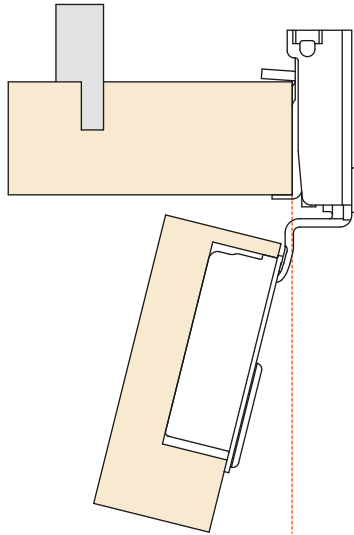
All Silentia+ face frame hinges have a variable drilling distance (K) of 2.5 mm - 6.0 mm.

Available in Nickel and Titanium finish.

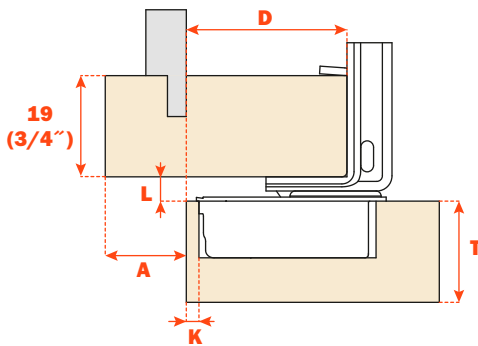
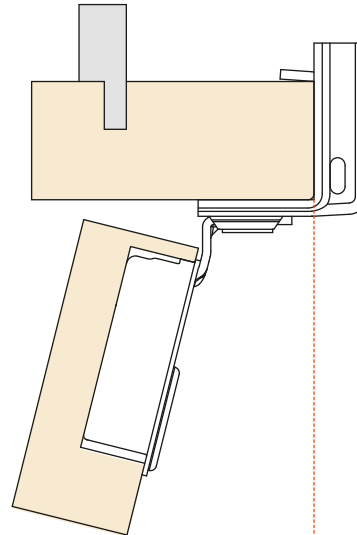
	106° ø35	106° ø35	106° ø35	106° ø35	Packaging
	11 (7/16")	11 (7/16")	11 (7/16")	11 (7/16")	
	1"	1 - 1/4"	1 - 5/16"	1 - 3/8"	
	CUP32D9	CUP3AD9	CUP3BD9	CUP3CD9	300
	CUP32D6 Titanium	CUP3AD6 Titanium	CUP3BD6 Titanium	CUP3CD6 Titanium	300
	CUR32D9	CUR3AD9	CUR3BD9	CUR3CD9	300
	CUR32D6 Titanium	CUR3AD6 Titanium	CUR3BD6 Titanium	CUR3CD6 Titanium	300
All overlays are calculated with a K = 2.5 mm.					
Suggested frame fixing screw #8 x 3/4" modified truss head - VU74X194					
	106° ø35	106° ø35			Packaging
	11 (7/16")	11 (7/16")			
	1 - 7/16"	1 - 9/16"			
	CUP3DD9	CUP3ED9			300
	CUP3DD6 Titanium	CUP3ED6 Titanium			300
	CUR3DD9	CUR3ED9			300
	CUR3DD6 Titanium	CUR3ED6 Titanium			300
All overlays are calculated with a K = 2.5 mm.					
Suggested frame fixing screw #8 x 3/4" modified truss head - VU74X194					

Zero-door protrusion from 3/4" to 1 - 3/8" overlay.
Wraparound (front & rear tabs)

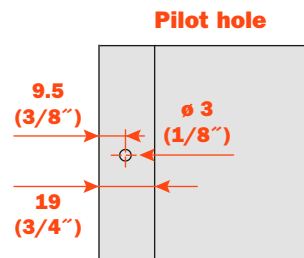
Partial overlay



Full overlay



Frame cabinet.



#8 x 3/4" modified truss head.
VU74X194

- D** = required door overlay
- T** = max. door thickness
- K** = drilling distance
- A** = reveal
- L** = gap between door and frame

- T= Maximum 22mm (7/8")

All overlays are calculated with a K = 2.5 mm.

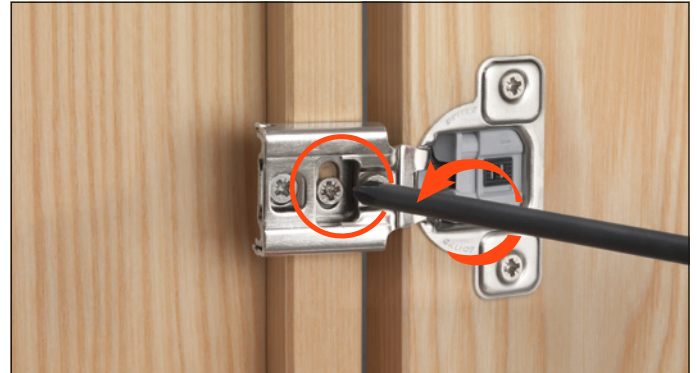
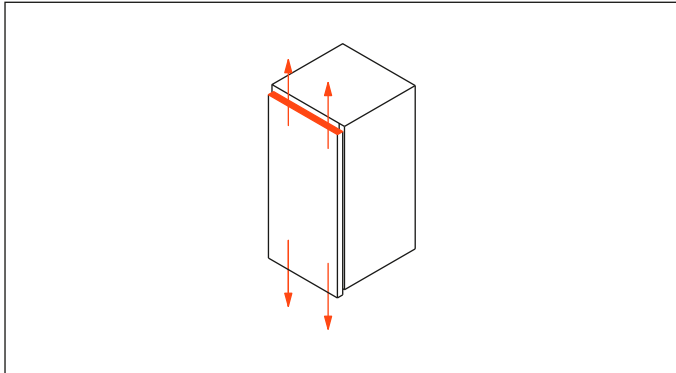
All Silentia+ face frame hinges have a variable drilling distance (K) of 2.5 mm - 6.0 mm.

- L = 4.6mm (3/16")

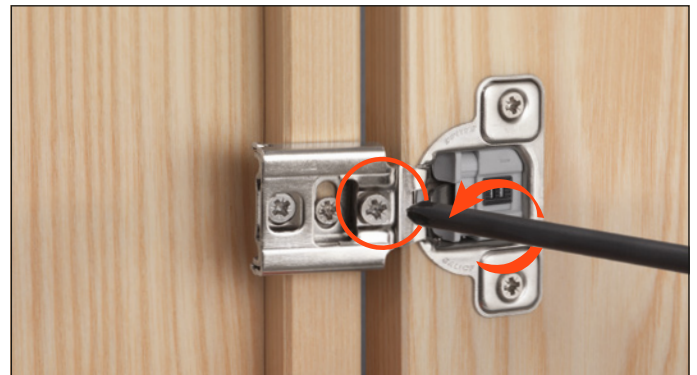
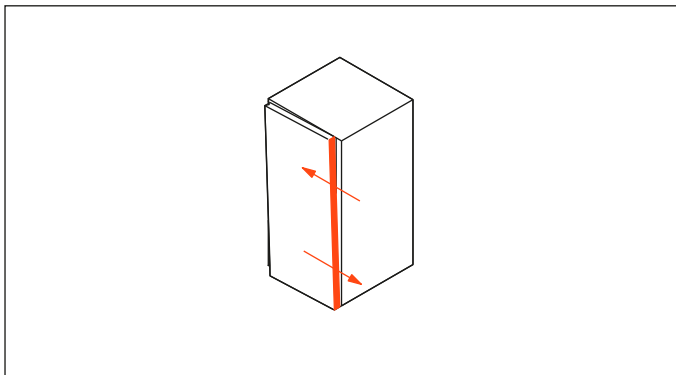
- "A" value = 5.6mm (7/32") min. for 19mm 3/4" square edge doors.

Silentia+

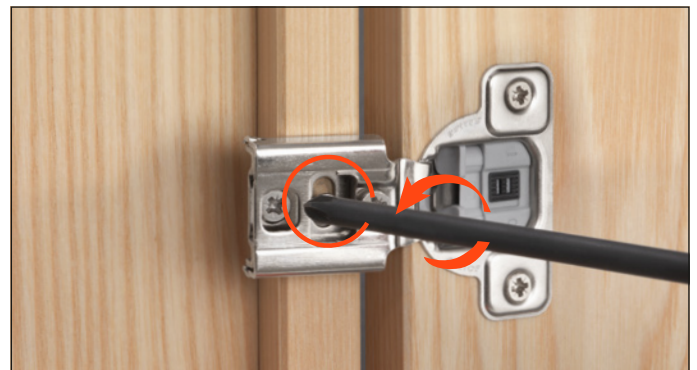
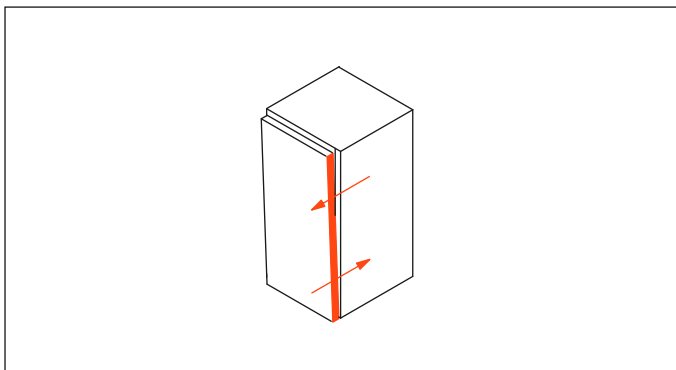
Height adjustment **+/- 3mm (1/8")**

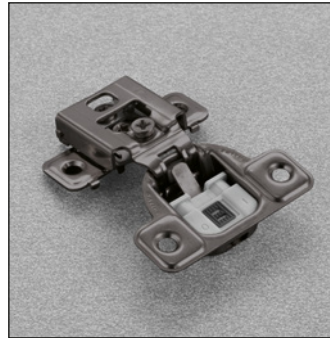
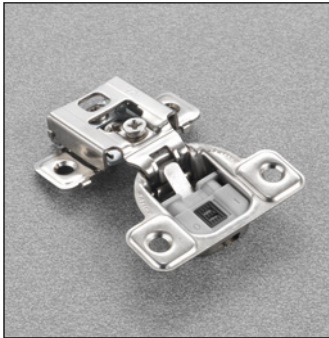


Side adjustment by eccentric cam for hinges: CU_37D9 - CU_34D9 = **+2.5mm (3/32") / -1.8mm (1/16")**
CU_32D_ - CU_3AD_ - CU_3CD_ = **+3mm (1/8") / -2mm (3/32")**



Depth adjustment by eccentric cam: **+2.5 mm (+ 3/32") / -0.5 mm (1/32")**





Integrated soft close face frame hinge with adjustment switch.

Stamped steel
 Minimum door thickness 14mm (9/16")
 Maximum door thickness 22mm (7/8")
 Cup depth 11mm (7/16")
 Opening 106°

Edgmount (front tabs only)

All Silentia+ face frame hinges have a variable drilling distance (K) of 2.5 mm - 6.0 mm.

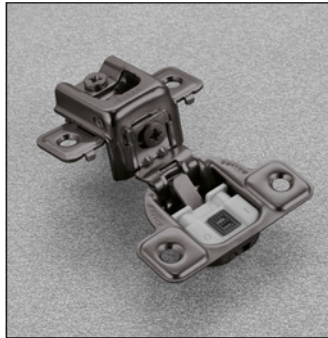
Available in Nickel or Titanium finish

	106° ø35	106° ø35	106° ø35	106° ø35	Packaging
	1/2"	9/16"	5/8"	3/4"	
	CUP37D9R	CUP36D9R	CUP35D9R	CUP34D9R	300
	CUP37D6R Titanium	CUP36D6R Titanium	CUP35D6R Titanium	CUP34D6R Titanium	300
	CUR37D9R	CUR36D9R	CUR35D9R	CUR34D9R	300
	CUR37D6R Titanium	CUR36D6R Titanium	CUR35D6R Titanium	CUR34D6R Titanium	300
All overlays are calculated with a K = 2.5 mm.					
	#6 x 5/8" flat head wood screw - VU73X154 Nickel - V234X166 Titanium				

Zero-door protrusion

Ideal for refacing and other applications where frame thickness varies. Hinge is indexed from the front of the face frame only. There is no back tab.

Silentia+ • Series CU Face Frame - 3 cam adjustment



Integrated soft close face frame hinge with adjustment switch.

Stamped steel
 Minimum door thickness 14mm (9/16")
 Maximum door thickness 22mm (7/8")
 Cup depth 11mm (7/16")
 Opening 106°

Edgemount (front tabs only)

All Silentia+ face frame hinges have a variable drilling distance (K) of 2.5 mm - 6.0 mm.

Available in Nickel or Titanium finish

	106° ø35	106° ø35	106° ø35	106° ø35	Packaging
	1"	1 - 1/4"	1 - 5/16"	1 - 3/8"	
	CUP32D9R	CUP3AD9R	CUP3BD9R	CUP3CD9R	300
	CUP32D6R Titanium	CUP3AD6R Titanium	CUP3BD6R Titanium	CUP3CD6R Titanium	300
	CUR32D9R	CUR3AD9R	CUR3BD9R	CUR3CD9R	300
	CUR32D6R Titanium	CUR3AD6R Titanium	CUR3BD6R Titanium	CUR3CD6R Titanium	300
All overlays are calculated with a K = 2.5 mm.					
Zero-door protrusion on all overlays - #6 x 5/8" flat head wood screw - VU73X154 Nickel - V234X166 Titanium					

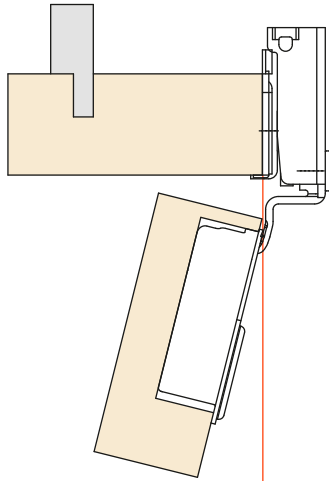
	106° ø35	106° ø35			Packaging
	1 - 7/16"	1 - 9/16"			
	CUP3DD9R	CUP3ED9R			300
	CUP3DD6R Titanium	CUP3ED6R Titanium			300
	CUR3DD9R	CUR3ED9R			300
	CUR3DD6R Titanium	CUR3ED6R Titanium			300
All overlays are calculated with a K = 2.5 mm.					
Zero-door protrusion on all overlays - #6 x 5/8" flat head wood screw - VU73X154 Nickel - V234X166 Titanium					

Ideal for refacing and other applications where frame thickness varies. Hinge is indexed from the front of the face frame only. There is no back tab.

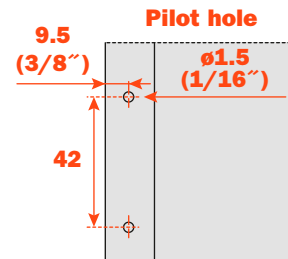
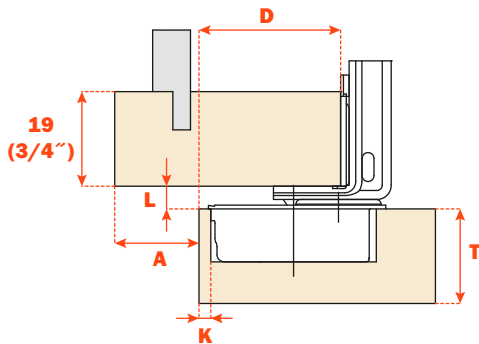
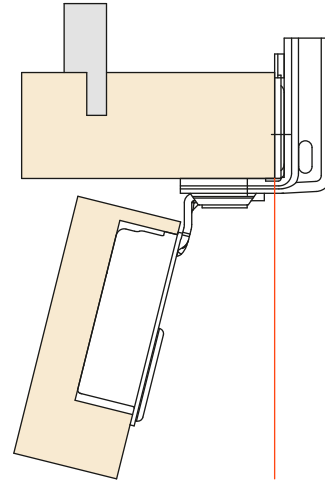
• **Series CU adjustment**

Zero-door protrusion from 3/4" to 1 - 3/8" overlay.
Edgemount (front tabs only)

Partial overlay



Full overlay



Suggested frame fixing screw #6 x 5/8"
VU73X154 Nickel - V234X166 Titanium

- D** = required door overlay
- T** = max. door thickness
- K** = drilling distance
- A** = reveal
- L** = gap between door and frame

- T= Maximum 22mm (7/8") max

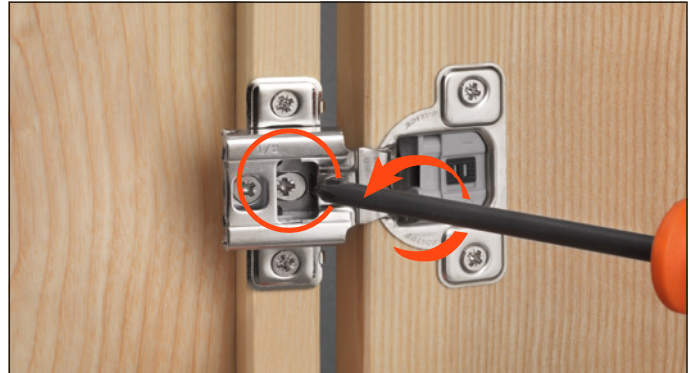
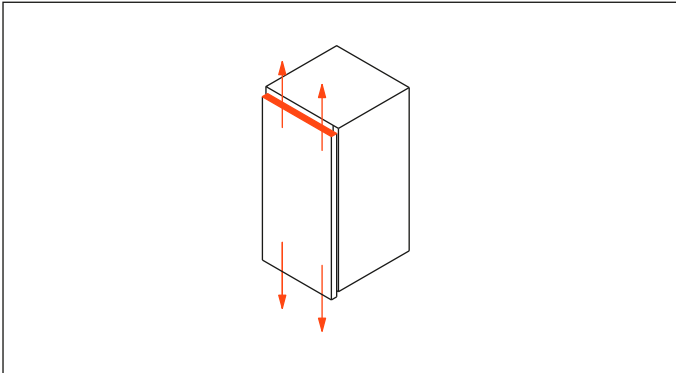
All overlays are calculated with a K = 2.5 mm.

All Silentia+ face frame hinges have a variable drilling distance (K) of 2.5 mm - 6.0 mm.

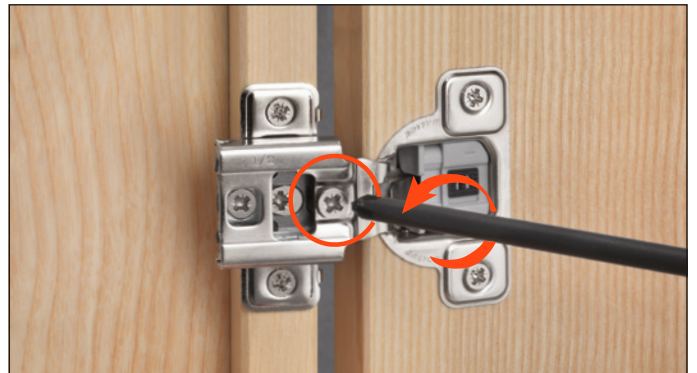
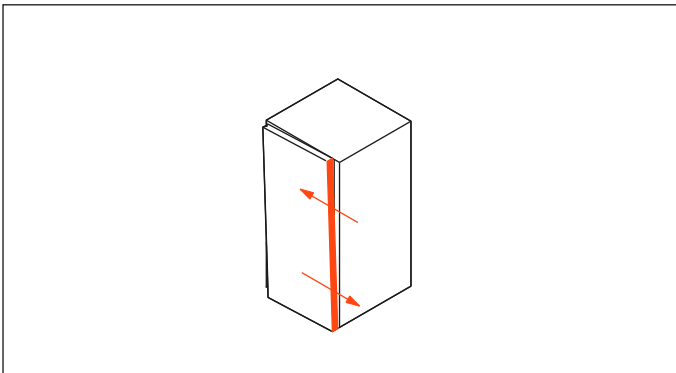
- L = 4.6 mm

- "A" value = 5.6 mm min. (7/32") for 19mm (3/4") square edge doors.

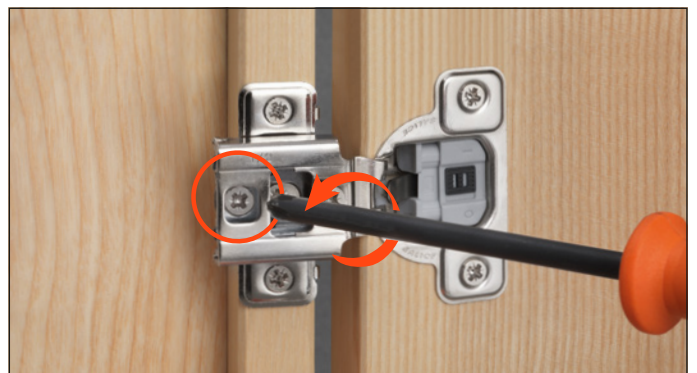
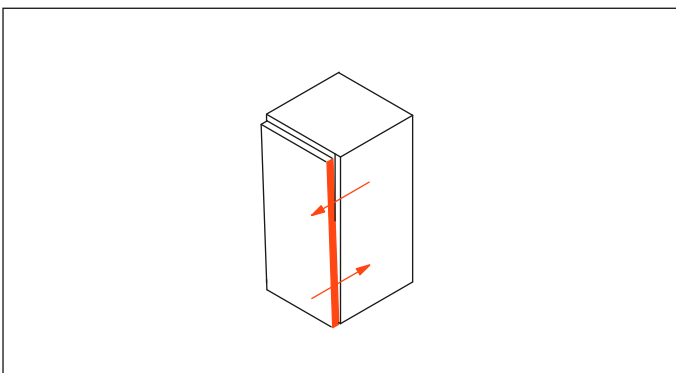
Height adjustment by eccentric cam = **+/- 1.85 mm (3/32")**



Side adjustment by eccentric cam for hinges: CU_37D_R - CU_34D_R = **+2.5mm (3/32") / -1.8mm (1/16")**
CU_32D_R - CU_3AD_R - CU_3CD_R = **+3mm (1/8") / -2mm (3/32")**



Depth adjustment by eccentric cam: **+ 2.5 mm (+ 3/32) / - 0.5 mm (- 1/64")**

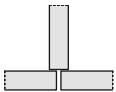
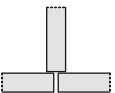
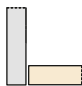




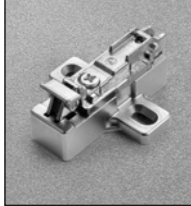
Hinge mounting plates


Mounting plates • snap on - 2-way adjustment - 1 cam

Based on using full overlay hinges

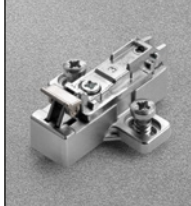
	9 mm Side panel $\frac{3}{4}$ " Half overlay	12 mm Side panel $\frac{5}{8}$ " Half overlay	18 mm Inset	Packaging
				


Die cast



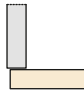
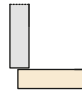
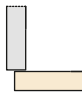
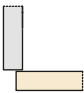
37x32 Screw-in				
	BAV3E99F	BAV3EC9F	BAV3EV9F	600

Die cast




37x32 Screw-in. Euro screw pre-mounted.				
	BAVGE99F/16	BAVGEC9F/16	BAVGEV9F/16	300

New steel mounting plates

	0 mm Side panel $\frac{3}{4}$ " Full overlay	2 mm Side panel $\frac{3}{4}$ " $\frac{11}{16}$ " overlay	3 mm Side panel $\frac{5}{8}$ " Full overlay	6 mm $\frac{1}{2}$ " overlay Partial overlay	Packaging
					


Steel



37x32 Screw-in					
	BAV3M09F	BAV3M29F	BAV3M39F	BAV3M69F	300


Steel



37x32 Screw-in. Euro screw pre-mounted.					
	BAVGM09F/16	BAVGM29F/16	BAVGM39F/16	BAVGM69F/16	300

Steel



37x32 Screw-in. Expansion dowels ø 5 mm					
	BAV4M09F/16	BAV4M29F/16	BAV4M39F/16		300

Mounting plates - snap on - 2-way adjustment - 2 cams

The Domi automatic mounting plate system - 2-way adjustment Domi plate with AAR feature.

The **Salice Domi** mounting plate has a unique **Automatic Adjustment Response** feature: a slight turn of the depth adjustment cam or vertical adjustment cam quickly positions the hinge - eliminating the need for manual positioning by loosening screws.

Based on using full overlay hinges.

	0 mm Side panel $\frac{3}{4}$ ". Full overlay	3 mm Side panel $\frac{5}{8}$ ". Full overlay	6 mm $\frac{1}{2}$ " overlay Partial overlay	Packaging

Steel



37x32 #7 x 5/8" wood screw.

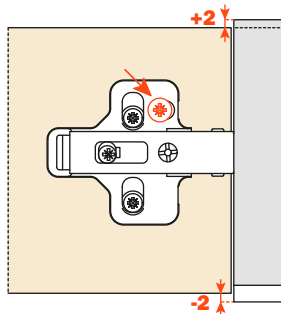
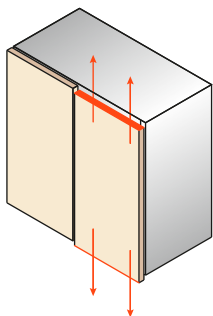
	BAR3L09F	BAR3L39F	BAR3L69F	300

Steel



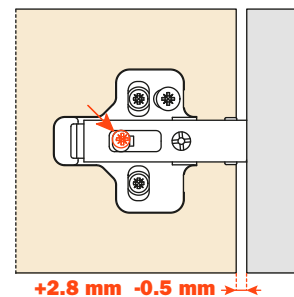
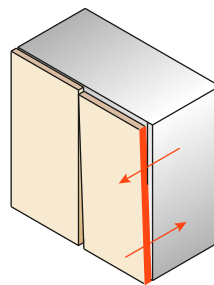
37x32 Screw-in. Euro-screw pre-mounted.

	BARGL09F/16	BARGL39F/16	BARGL69F/16	300



Height adjustment by cam

+2 mm
-2 mm



Depth adjustment by cam

+2.8 mm
-0.5 mm

Mounting plates - snap on - 2-way adjustment - 2 cams

The Domi automatic mounting plate system - 2-way adjustment

DomI plate with AAR feature.

The **Salice Domi** mounting plate has a unique **Automatic Adjustment Response** feature: a slight turn of the depth adjustment cam or vertical adjustment cam quickly positions the hinge - eliminating the need for manual positioning by loosening screws.

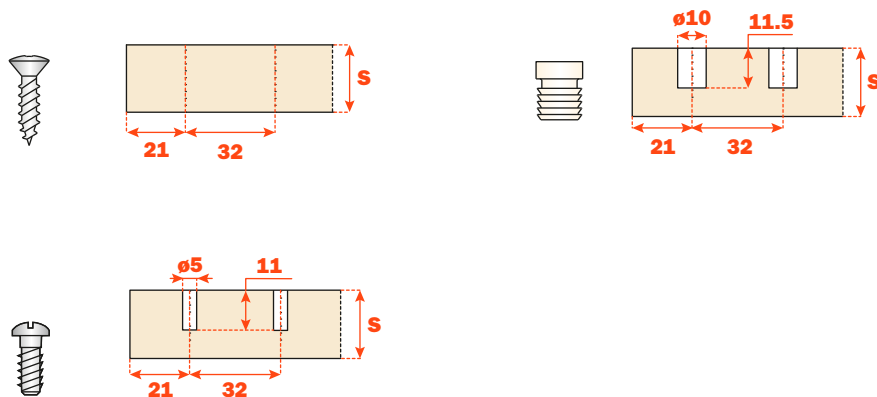
Based on using full overlay hinges.

	0 mm Side panel $\frac{3}{4}$ " Full overlay	2 mm Side panel $\frac{3}{4}$ " $\frac{11}{16}$ " overlay	3 mm Side panel $\frac{5}{8}$ " Full overlay	6 mm $\frac{1}{2}$ " overlay Partial overlay	9 mm Side panel $\frac{3}{4}$ " Half overlay	12 mm Side panel $\frac{5}{8}$ " Half overlay	Packaging

Die-cast	21+32 Screw-in.							
		BAP3R09 BAP3R06 (Titanium)	BAP3R29	BAP3R39	BAP3R69	BAP3R99	BAP3RC9	300

Die-cast	21+32 Screw-in. Euro-screw pre-mounted.							
		BAPGR09/16	BAPGR29/16 BAPGR26/16 (Titanium)	BAPGR39/16	BAPGR69/16			300

Die-cast	21+32 Knock-in. Dowels \varnothing 10 mm.							
		BAP7R09	BAP7R29	BAP7R39	BAP7R69			300



Mounting plates - snap on - 2-way adjustment - 2 cams

The Domi automatic mounting plate system - 2-way adjustment • Domi plate with AAR feature.

The **Salice Domi** mounting plate has a unique **Automatic Adjustment Response** feature: a slight turn of the depth adjustment cam or vertical adjustment cam quickly positions the hinge - eliminating the need for manual positioning by loosening screws.

Based on using full overlay hinges.

	0 mm Side panel $\frac{3}{4}$ " Full overlay	2 mm Side panel $\frac{3}{4}$ " 11/16" overlay	3 mm Side panel $\frac{5}{8}$ " Full overlay	6 mm $\frac{1}{2}$ " overlay Partial overlay	9 mm Side panel $\frac{3}{4}$ " Half overlay	12 mm Side panel $\frac{5}{8}$ " Half overlay	18 mm Inset	Packaging



37x32 Screw-in 3rd screw fixing option

	BAR3R09 BAR3R06 (Titanium)	BAR3R29 BAR3R26 (Titanium)	BAR3R39 BAR3R36 (Titanium)	BAR3R69 BAR3R66 (Titanium)	BAR3R99	BAR3RC9 BAR3RC6 (Titanium)	BAR3RV9 BAR3RV6 (Titanium)	300
--	----------------------------------	----------------------------------	----------------------------------	----------------------------------	---------	----------------------------------	----------------------------------	-----



37x32 Screw-in. Euro-screw pre-mounted. 3rd screw fixing option

	BARGR09/16	BARGR29/16 BARGR26/16 (Titanium)	BARGR39/16	BARGR69/16	BARGR99/16	BARGRC9/16 BARGRC6/16 (Titanium)	BARGRV9/16 BARGRV6/16 (Titanium)	300
Short euro screw plates for twin application								
	BARGR09/20	BARGR29/20	BARGR39/20	BARGR69/20	BARGR99/20			300



37x32 Expansion Dowels ø 5 mm. 3rd screw fixing option

	BAR4R09/16	BAR4R29/16	BAR4R39/16	BAR4R69/16				300
--	------------	------------	------------	------------	--	--	--	-----

	21 mm Inset face frame application	24 mm Inset face frame application	27 mm Inset face frame applicaton	30 mm Inset face frame application				Packaging



37x32 Screw-in 3rd screw fixing option • Additional plate heights

	BAR3RZ9	BAR3RY9	BAR3RU9	BAR3RM9				150
--	---------	---------	---------	---------	--	--	--	-----

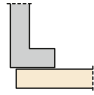
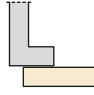


37x32 Screw-in. Euro-screw pre-mounted. 3rd screw fixing option • Additional plate heights

	BARGRZ/16	BARGRY9/16	BARGRU9/16	BARGRM/16				150
--	-----------	------------	------------	-----------	--	--	--	-----

Snap on - 2-way adjustment - 1 cam and 2 cams


Face frame application. Based on using full overlay hinges.

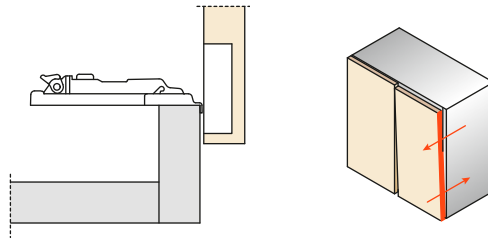
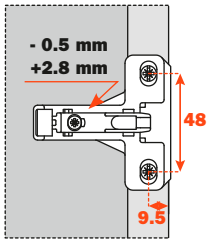
	1 mm 3/4" overlay	4 mm 1/2" overlay				Packaging
						

Steel

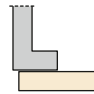
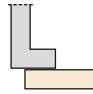
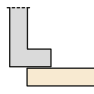

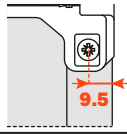

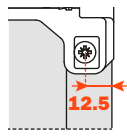


10x48 Screw-in.

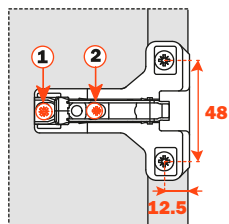
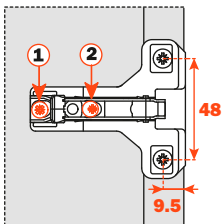
	BAU3L19	BAU3L49				300
-----------------------------------------------------------------------------------	---------	---------	--	--	--	-----



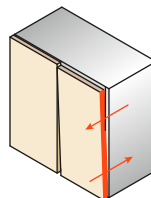
10x48 Screw-in. 3rd screw fixing option.

		1 mm 3/4" overlay	4 mm 1/2" overlay	6 mm 1/2" overlay		Packaging
						
		BAU3R19	BAU3R49	BAU3R69		300
		BAU3R19XR	BAU3R49XR	BAU3R69XR		300

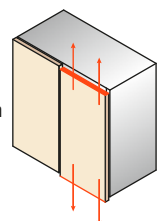
Die-cast
Zamak



①
- 0.5 mm
+ 2.8 mm


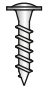


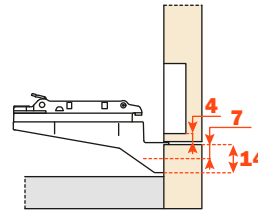
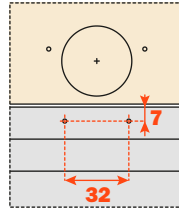
②
± 2 mm



Mounting plates - snap on - 2-way adjustment - 2 cams

Double cam - Inset face-frame applications.

Die-cast 	7x32 Screw-in.		Packaging
		BAL3R59	300

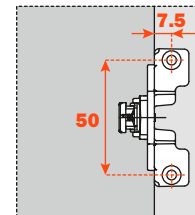
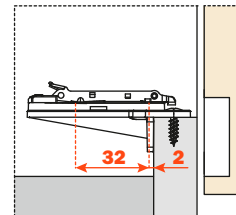
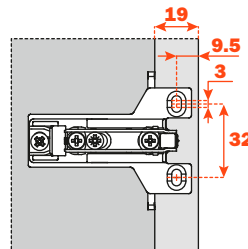


To be used with:

- 1) Half overlay hinges ("G" crank)
 - 2) 1/2" overlay hinges ("D" crank) + adjustment.
- Fix with #6 x 5/8" truss head recommended.

Double cam - Rear flange face-frame applications.

Die-cast 	10x45 Screw-in		Packaging
		BA03R59	150





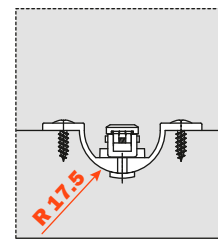
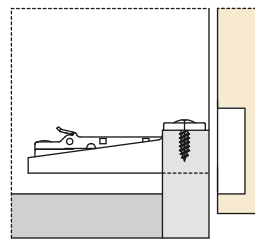
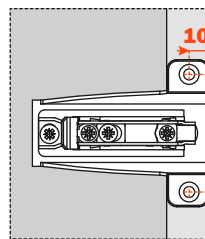
Overlay calculation:

Overlay = constant + Drilling distance - 5 mm

This wrap-around mounting plate allows attaching to both the edge of the frame as well as attaching to the back of the frame. It is ideal for many specialized applications that include cabinet refacing when a 1/4" veneer is added to the face of the frame. In this application, this plate design allows the fixing screws to remain in the center of the solid wood frame thus avoiding the joint between the frame and the surfacing material. Some manufacturers do not use solid wood framing material but other materials such as plywood or MDF. Since these materials do not provide suitable screw holding power on the edge of the material, this plate can be secured both to the back surface of the frame and the edge. This results in an acceptable, secure attachment.

Double cam - Large overlay face-frame applications.

Die-cast 	10x45 Screw-in		Packaging
		BAM3R09	300



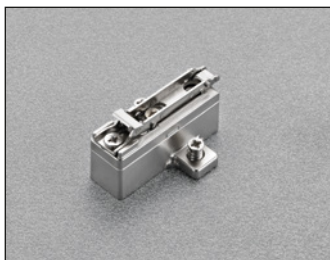
Overlay calculation:

Overlay = constant + Drilling distance + 11 mm

HINGE	OVERLAY	Drilling distance (K)
Full Overlay ("A" crank) • 110° - 120° opening	1 - 1/4" overlay	K = 6 mm
Full Overlay ("A" crank) • 94° - 165° opening	1 - 3/8" overlay	K = 8 mm + 1 mm of adjustment
Full Overlay ("A" crank) • 165° + reduction clip • S2AF37X3 = 125° opening	1 - 1/2" overlay	K = 12 mm
Full Overlay ("A" crank) • 165° + reduction clip • S2AF37X3 = 125° opening	1 - 9/16" overlay	K = 14 mm

Mounting plates - snap on - 2-way adjustment - 2 cams

Hinge and mounting plate selection guide for Face Frame Inset doors.



BAR_ mounting plate

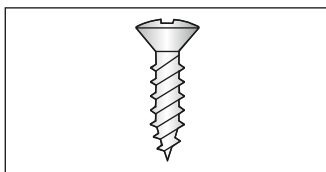


P_ crank inset hinge

Face frame cabinets

The **BAR** thick mounting plate system has been developed to offer the appropriate mounting plate thickness for inset doors with face frame cabinets. This eliminates the need to “build up” to match the face frame interspace (**IS**) dimension.

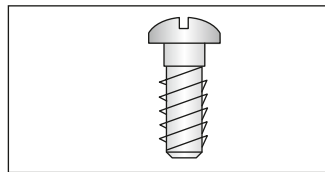
Mounting plate part number



- H = 6 mm** - BAR3R69
- H = 9 mm** - BAR3R99
- H = 12 mm** - BAR3RC9
- H = 18 mm** - BAR3RV9
- H = 21 mm** - BAR3RZ9
- H = 24 mm** - BAR3RY9
- H = 27 mm** - BAR3RU9
- H = 30 mm** - BAR3RM9

3rd screw hole 0 mm - 12 mm.
No 3rd screw 18 mm - 30 mm.

18 mm - 30 mm plates have larger screw holes requiring larger screws such as #7 X 5/8" wood screws.

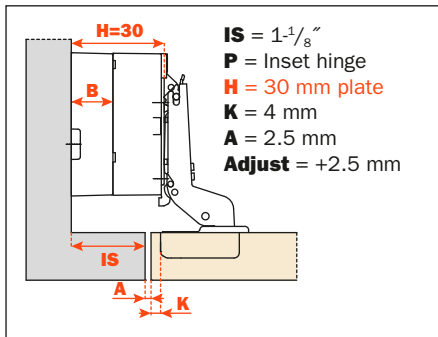
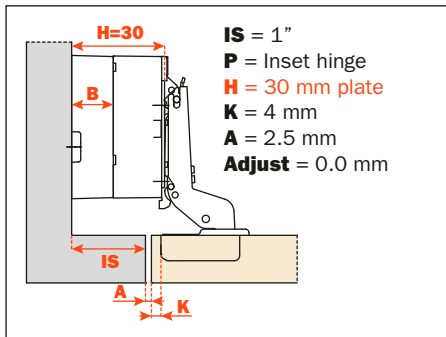
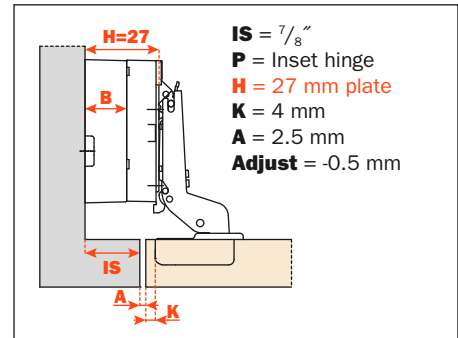
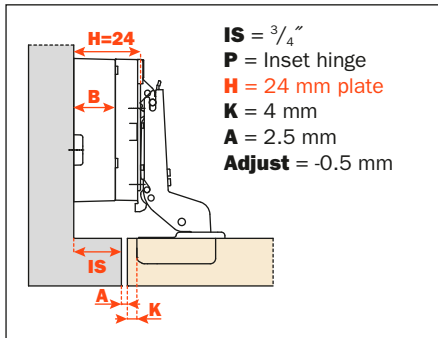
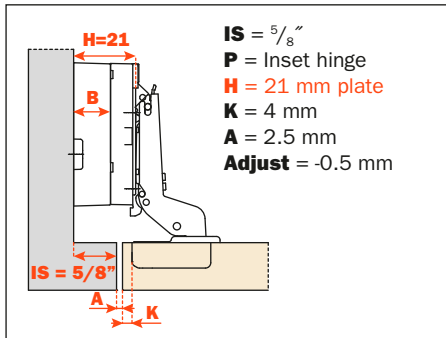
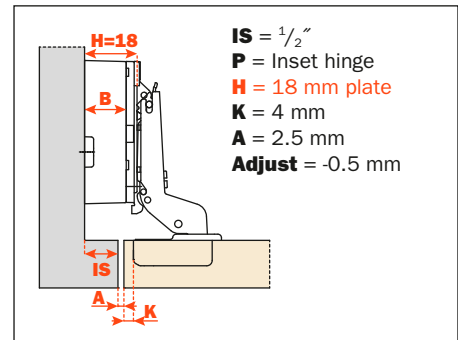
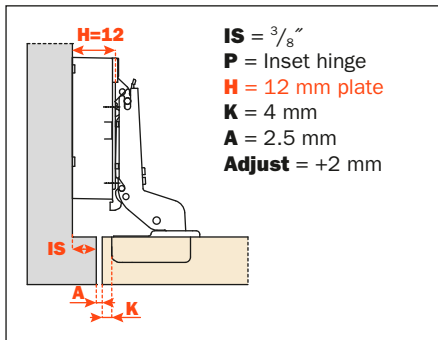
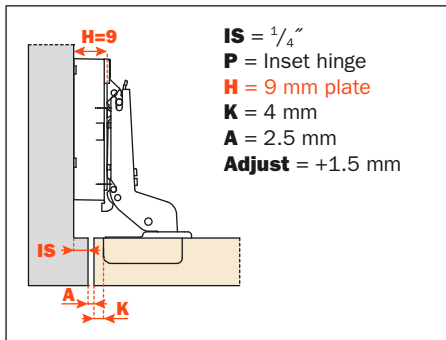
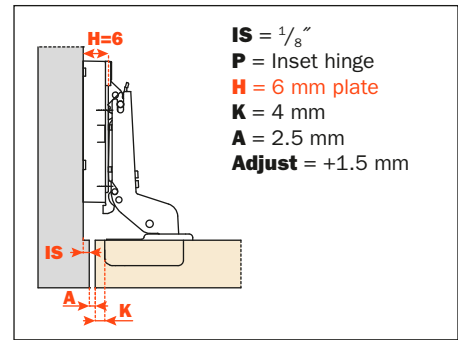
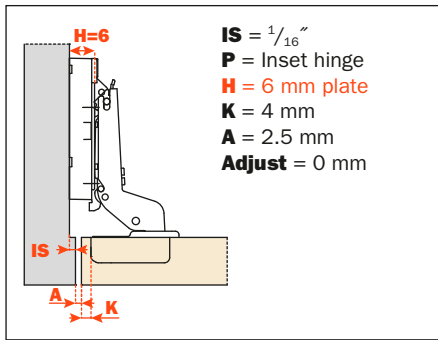
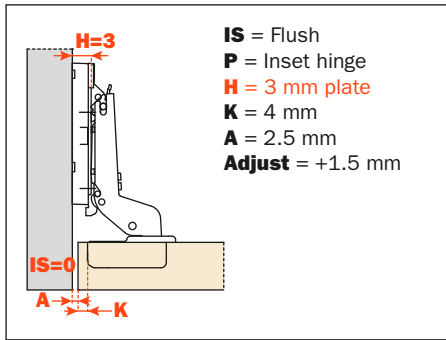


- H = 6 mm** - BARGR69/16
- H = 9 mm** - BARGR99/16
- H = 12 mm** - BARGRC9/16
- H = 18 mm** - BARGRV9/16
- H = 21 mm** - BARGRZ9/16
- H = 24 mm** - BARGRY9/16
- H = 27 mm** - BARGRU9/16
- H = 30 mm** - BARGRM9/16

3rd screw hole 0 mm - 12 mm.
No 3rd screw 18 mm - 30 mm.

Drawings of Face Frame Inset applications

Select an inset style (P crank) hinge and the matching mounting plate thickness for your cabinet design.



Legend

- IS** = recess (from side to frame edge)
- B** = mounting plate
- H** = mounting plate thickness
- K** = edge bore distance
- A** = gap
- P** = crank inset hinge



Accessories

Accessories-Silentia+

Hinge arm cover caps

*Check with your Salice sales representative or customer service for specific Titanium availability

S2BX83H9__ - Nickel
S2BX83H6__ - Titanium

Symmetrical steel screw cover cap, it can be personalized on request.



For 100, 200 and 700 Series hinges.

Min order quantity is 10,000 and a lead time of 10 weeks is required for personalized printed cover caps.

S2MX83H9__ - Nickel
S2MX83H6__ - Titanium

Symmetrical steel screw cover cap with personalized embossed logo.



For 100, 200 and 700 Series hinges.

Min order quantity of 100,000 and a lead time of 10 weeks is required for personalized embossed cover caps.

S2XX83A1__

Nylon symmetrical screw cover cap with printed logo.



For 100, 200 and 700 Series hinges.

Min. order quantity is 10,000 and a lead time of 10 weeks is required for personalized printed cover caps. Excluded: 155° opening hinges.

S2XX83A1

Nylon symmetrical screw cover cap without printed logo.



For 100, 200 and 700 Series hinges.

Min. order quantity and lead time required for personalized cover caps. Excluded: 155° opening hinges.

Flange cover caps

*Check with your Salice sales representative or customer service for specific Titanium availability

S2XX85H9 - Nickel

S2XX85H6 - Titanium



Steel flange cover cap, it can be personalized on request.

For all 100, 200, 700 Series.

Min order quantity of 10,000 and a lead time of 10 weeks is required for personalized printed cover caps.

S2CX85H9 - Nickel

S2CX85H6 - Titanium



Steel flange cover cap with embossed logo.

For all 100, 200 and 700 Series,

Min order quantity of 100,000 and a lead time of 10 weeks is required for personalized embossed cover caps.

Spacers and gauge for Silentia+ hinges

S2XF86



Spacer to reduce the drilling depth for 155° hinges.

S2XF86BT = 0.6 mm

S2XF86AT = 1.2 mm

S2XF86KT = 1.8 mm

S2XX86



Spacer to reduce the drilling depth for 94°, 105° and 110° hinges.

S2XX86BT = 0.6 mm

S2XX86AT = 1.2 mm

S2XX86KT = 1.8 mm

D_A_AC_SN



Gauge to check the diameter and the depth of the drilling.

D1A6AC3SN = 12 mm

D2ABACGSN = 15.5 mm

D7A6ACYSN = 13.5 mm

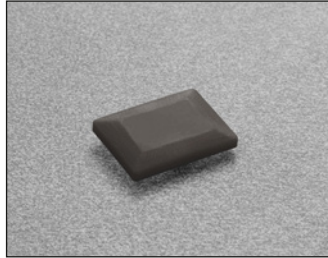
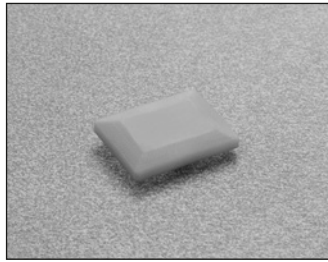
D1Z6HSK



Fancy cover for metal profiles hinges.

Accessories • Silentia+ face frame

SUXX83C_

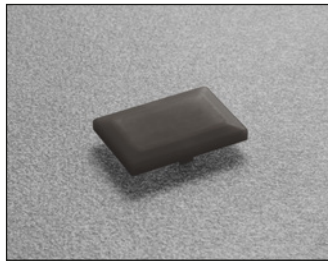
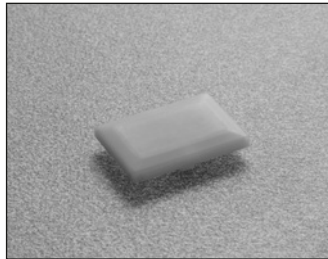


Cover cap for partial overlay Silentia+ face frame hinges.
 - Compatible with overlays from 1/2" to 3/4".
 - Nylon
 - Available in multiple colors

Cover caps can be personalized with customer logo upon request
 - Minimum order is 10.000 pcs.
 - Blank cover cap packaging: 5000 pcs.

SUXX83C**1** = White
 SUXX83C**G** = Grey
 SUXX83C**6** = Titanium

SUXX83L_



Cover cap for full overlay Silentia+ face frame hinges.
 - Compatible with overlays from 1" to 1 - 3/8".
 - Nylon
 - Available in multiple colors

Cover caps can be personalized with customer logo upon request
 - Minimum order is 10.000 pcs.
 - Blank cover cap packaging: 5000 pcs.

SUXX83L**1** = White
 SUXX83L**G** = Grey
 SUXX83L**6** = Titanium

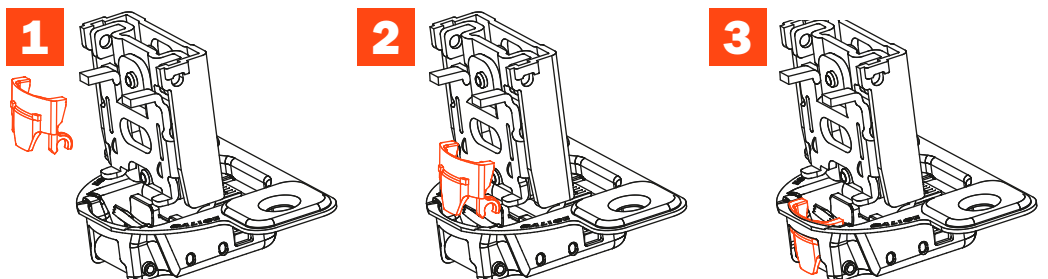
SUP337XG



Angle reduction clip for Silentia+ face frame hinges.
 Compatible with all overlays, clips on easy.

Limits opening to 86°.

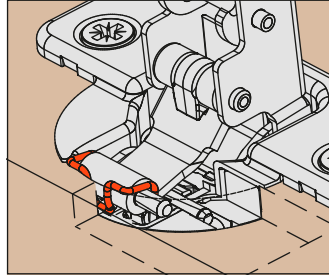
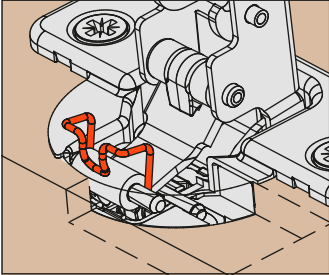
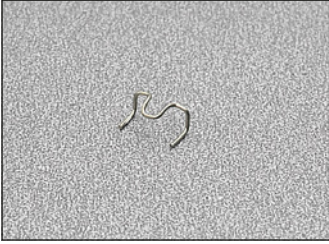
Packaging 500.



Angle reduction

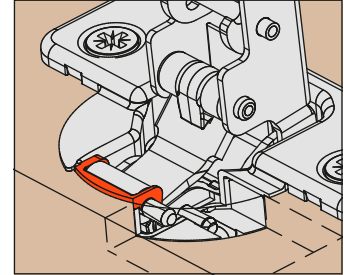
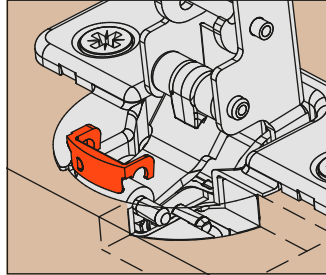
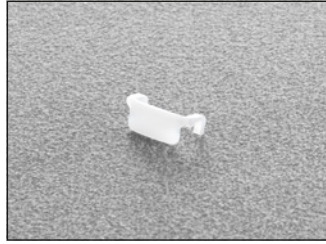
S2A637XF

For all 200 Series hinges,
it limits opening at about 86°.



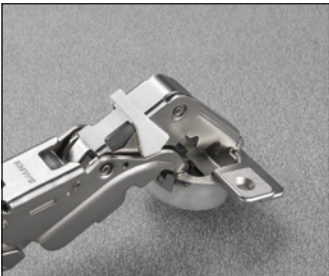
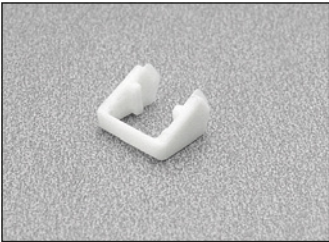
S1E637XY

For all 100 and 700 Series hinges,
it limits opening at about 86°.



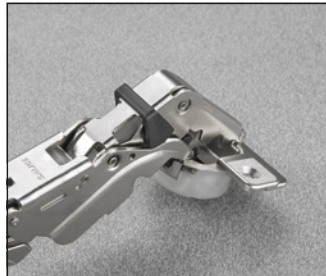
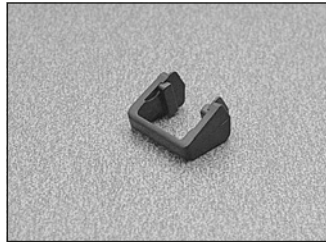
S2BF37XY

For 155° hinges,
it limits opening at 130°.



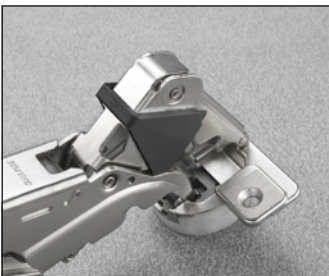
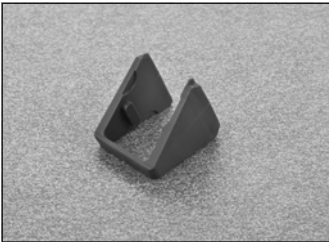
S2AF37X3

For 155° hinges,
it limits opening at 135°.



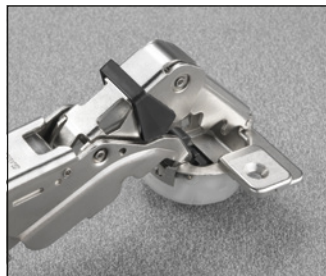
S2BM37XG

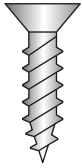
For 155° hinges,
it limits opening at 92°.



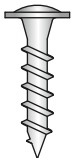
S2AM37XG

For 155° hinges,
it limits opening at 120°.



Accessories • Face Frame**Wood screw****Data for orders****Packaging:** 1 x 100 pcs.

- VU73X154** # 6 x 5/8" FHP
V234X166 # 6 x 5/8" wood screw in Titanium FHP



- VU74X194** # 8 x 3/4" modified truss head wood screw

Pozi driver

The #2 Pozi driver is recommended for usage on all Euro hinges adjustment screws

Data for orders**Packaging:** 1 x 100 pcs.**D2A7XCXCP**

SALICE AMERICA INC.

2123 CROWN CENTRE DRIVE
CHARLOTTE NC. 28227
TEL. 704 841 7810
FAX. 704 841 7808
info.salice@saliceamerica.com
www.saliceamerica.com



Digital contents